

Junctions, Junction Bars and Junction Headers

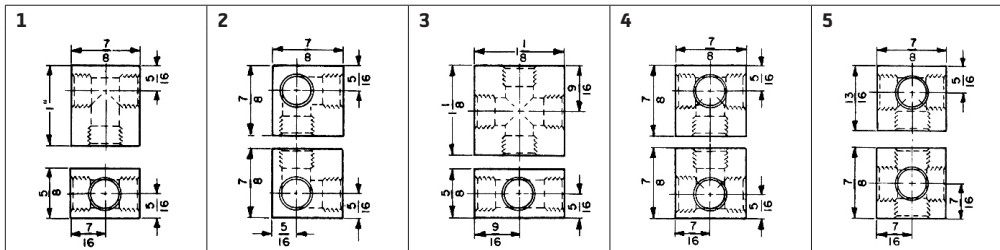
General

Bijur Delimon junctions, junction bars and junction headers are used as part of Single Line Resistance (SLR) systems. Specific installation notes for each type of product, if applicable, is shown at right in the column beside the part numbers.

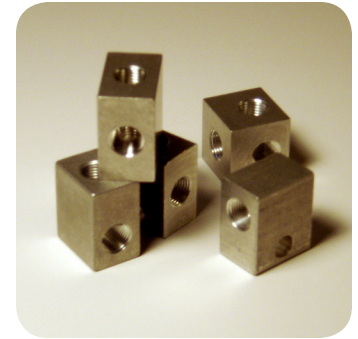
Junctions

1/8 NPT Pipe Thread

All holes have 1/8 pipe thread.



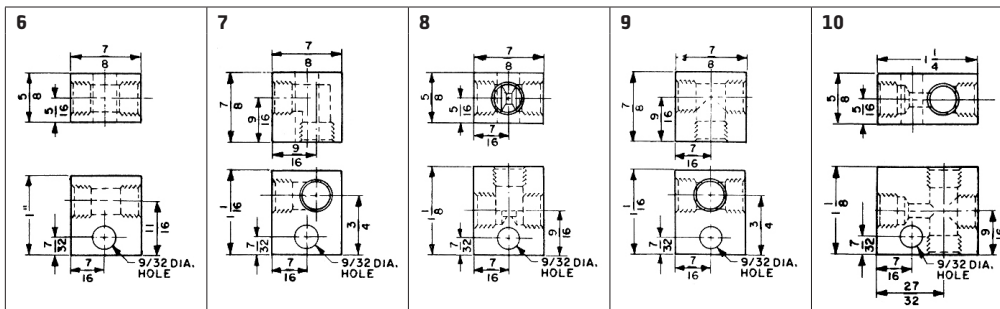
Item	Name	Part #
1	Junction 3-Way	B7682
2	Junction 3-Way	B7683
3	Junction 4-Way	B7684
4	Junction 4-Way	B7685
5	Junction 5-Way	B7686



All measurements shown in inches unless otherwise noted.

1/8 NPT Pipe Thread (w/ Mounting Hole)

All holes have 1/8 pipe thread.



Item	Name	Part #
6	Junction 2-Way	B7690
7	Junction 2-Way	B7691
8	Junction 3-Way	B7692
9	Junction 3-Way	B7693
10	Junction 4-Way	B7694

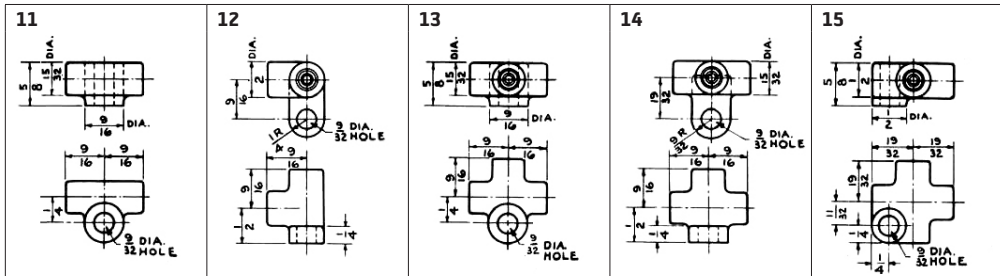
BIJUR DELIMON INTERNATIONAL

(919) 465 4448 LOCAL
 (800) 631 0168 TOLL-FREE
 (919) 465 0516 FAX

WWW.BIJURDELIMON.COM

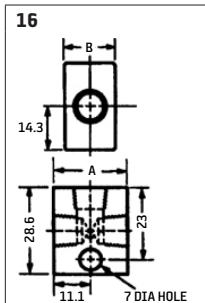
2100 Gateway Centre Blvd., Suite 109
 Morrisville, NC 27560

5/16-24 (5/32" Tube) & M10x1 (6mm Tube) Threads



Item	Name	5/16-24	M10x1
11	Junction 2-Way (w/ mount hole)	B3288	31002
12	Junction 2-Way	B5149	---
13	Junction 3-Way	B3065	31003
14	Junction 3-Way	B1092	---
15	Junction 4-Way	B4231	31004

R1/8 BSPT Outlets

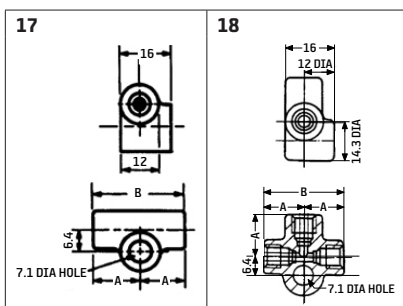


To close an R1/8 outlet, use closure plug #20937-1.

Measurements shown in mm.

Item	Name	Part #
16	Junction 3-Way (tee)	17186

M8x1 Thread (4mm Tube)



To connect M8x1 junctions to tubing, use compression bushing #15328 and compression sleeve #B1061 (4mm O.D. metal tubing) or #B8272. To close an outlet, use closure plug #15322.

Measurements shown in mm.

Item	Name	A	B	Part #
17	Junction 2-Way	14.3mm	28.6mm	22609
18	Junction 3-Way	14.3mm	28.6mm	22564

BIJUR DELIMON INTERNATIONAL

(919) 465 4448 LOCAL
(800) 631 0168 TOLL-FREE
(919) 465 0516 FAX

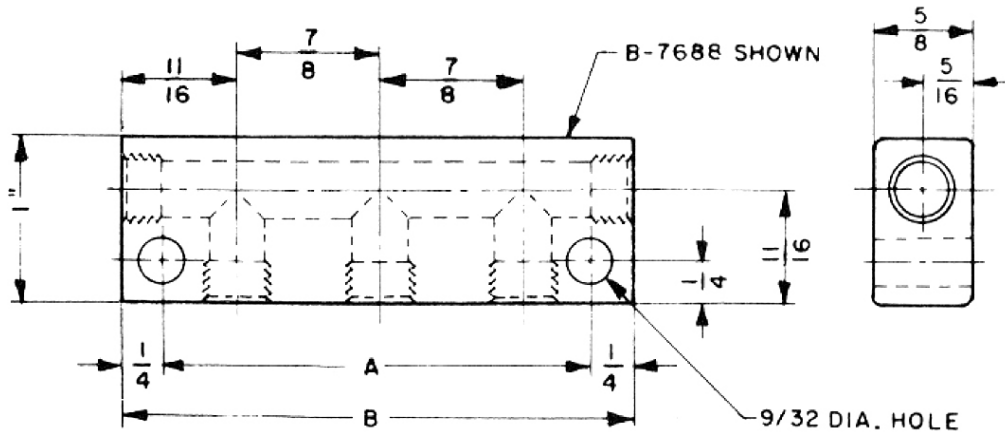
WWW.BIJURDELIMON.COM

2100 Gateway Centre Blvd., Suite 109
Morrisville, NC 27560

Junction Bars – Single Side Outlet

1/8 NPT Pipe Thread

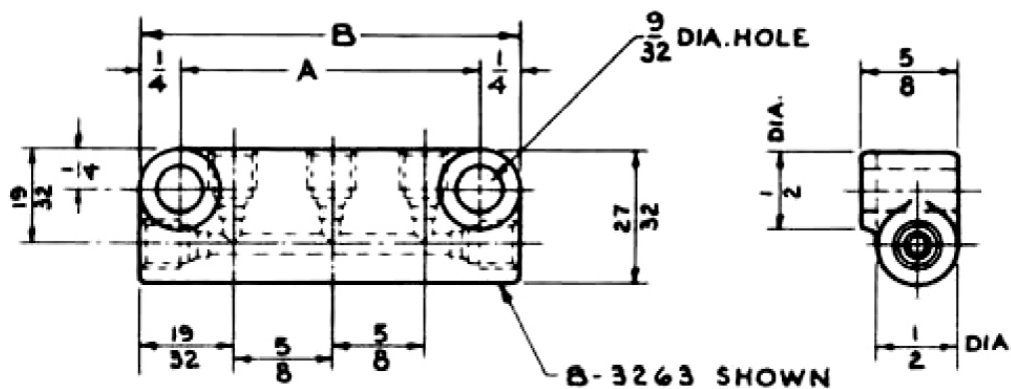
All holes have 1/8 pipe thread. Aluminum bar stock.



Name	A	B	Part #
Junction Bar 4-Way, Single	1.75"	2.25"	B7687
Junction Bar 5-Way, Single	2.625"	3.125"	B7688
Junction Bar 6-Way, Single	3.5"	4"	B7689
Junction Bar 7-Way, Single	4.375"	4.875"	B8897
Junction Bar 8-Way, Single	5.25"	5.75"	B8898
Junction Bar 10-Way, Single	7"	7.5"	B8899

5/16-24 & M10x1 Threads

Use FJB meter units or CJB control units.



Name	A	B	5/16-24	M10x1
Junction Bar 4-Way, Single	1.3125"	1.8125"	B3262	31000-4
Junction Bar 5-Way, Single	1.9375"	2.4375"	B3263	31000-5
Junction Bar 6-Way, Single	2.5625"	3.0625"	B3264	31000-6
Junction Bar 7-Way, Single	3.1875"	3.8125"	B3289	31000-7
Junction Bar 8-Way, Single	3.8125"	4.3125"	B3265	31000-8
Junction Bar 9-Way, Single	4.4375"	4.9375"	B4508	31000-9
Junction Bar 10-Way, Single	5.0625"	5.5625"	B3704	31000-10
Junction Bar 12-Way, Single	6.3125"	6.8125"	B3471	---

For tubing connection, use compression bushing #B1371 and compression sleeve #B1061. To close an outlet, use closure plug #B3784.

BIJUR DELIMON INTERNATIONAL

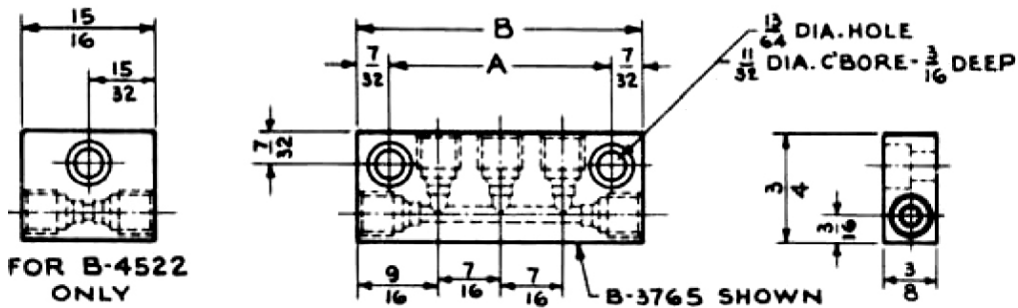
(919) 465 4448 LOCAL
(800) 631 0168 TOLL-FREE
(919) 465 0516 FAX

WWW.BIJURDELIMON.COM

2100 Gateway Centre Blvd., Suite 109
Morrisville, NC 27560

5/16-24 & M10x1 Threads

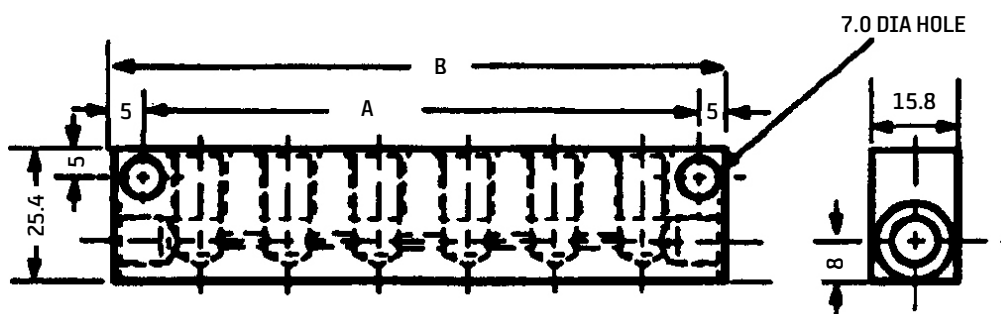
Use FJC or FJD meter units.



For tubing connection, use compression bushing #B3783 and compression sleeve #B1061. To close an outlet, use closure plug #B3784.

Name	A	B	5/16-24	M10x1
Junction Bar 2-Way, Single	---	---	B4522	---
Junction Bar 3-Way, Single	0.6875"	1.125	B4498	---
Junction Bar 4-Way, Single	1.125"	1.5625"	B3764	---
Junction Bar 5-Way, Single	1.5625"	2.0"	B3765	B10168-5
Junction Bar 6-Way, Single	2.0"	2.4375"	B3766	B10168-6
Junction Bar 7-Way, Single	2.4375"	2.875"	B3767	B10168-7
Junction Bar 8-Way, Single	2.875"	3.3125"	B3768	B10168-8
Junction Bar 9-Way, Single	3.3125"	3.75"	B3769	---
Junction Bar 10-Way, Single	3.75"	4.1875"	B3770	---
Junction Bar 11-Way, Single	4.1875"	4.625"	B3771	---
Junction Bar 12-Way, Single	4.625"	5.0625"	B3772	---

R1/8 BSPT Inlets - M10x1 Outlets



To close a M10x1 outlet, use closure plug #74106-1164 and copper seal #72712-1094.

Measurements shown in mm.

Name	A	B	Part #
Junction Bar 4-Way, Single	38mm	48mm	17880
Junction Bar 5-Way, Single	54mm	64mm	19442
Junction Bar 7-Way, Single	86mm	96mm	17881

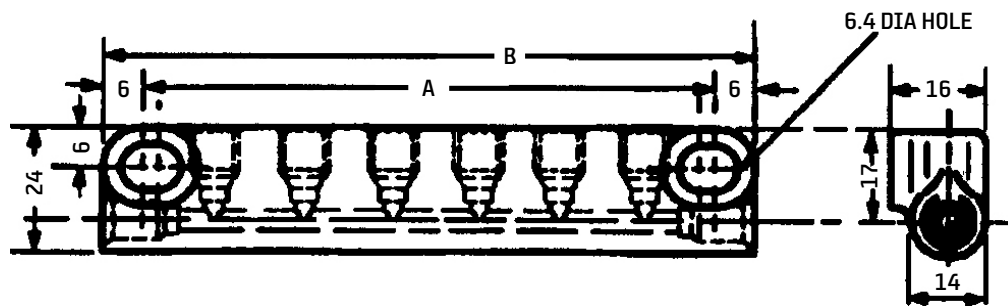
BIJUR DELIMON INTERNATIONAL

(919) 465 4448 LOCAL
 (800) 631 0168 TOLL-FREE
 (919) 465 0516 FAX

WWW.BIJURDELIMON.COM

2100 Gateway Centre Blvd., Suite 109
 Morrisville, NC 27560

R1/8 BSPT Inlets - M8x1 Outlets

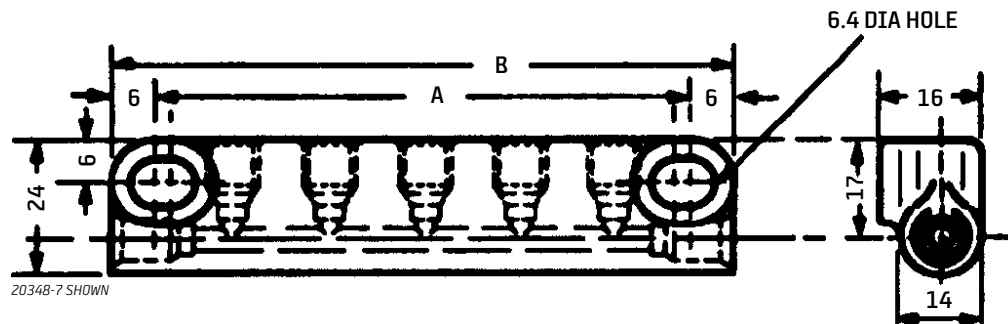


To close a M8x1 outlet, use closure plug #15322 and copper seal #72712-1094.

Measurements shown in mm.

Name	A	B	Part #
Junction Bar 8-Way, Single	100mm	112mm	19197

M8x1 Thread



Measurements shown in mm.

Name	A	B	Part #
Junction Bar 4-Way, Single	36mm	48mm	20348-4
Junction Bar 5-Way, Single	52mm	64mm	20348-5
Junction Bar 6-Way, Single	68mm	80mm	20348-6
Junction Bar 7-Way, Single	84mm	96mm	20348-7
Junction Bar 8-Way, Single	100mm	112mm	20348-8
Junction Bar 9-Way, Single	116mm	128mm	20348-9
Junction Bar 10-Way, Single	132mm	144mm	20348-10
Junction Bar 12-Way, Single	164mm	176mm	20348-12

BIJUR DELIMON INTERNATIONAL

(919) 465 4448 LOCAL
(800) 631 0168 TOLL-FREE
(919) 465 0516 FAX

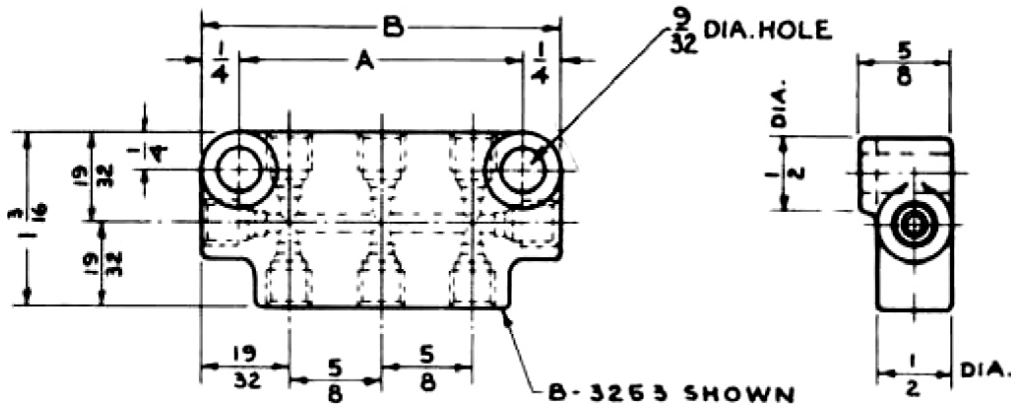
WWW.BIJURDELIMON.COM

2100 Gateway Centre Blvd., Suite 109
Morrisville, NC 27560

Junction Bars - Double Outlet

5/16-24 & M10x1 Threads

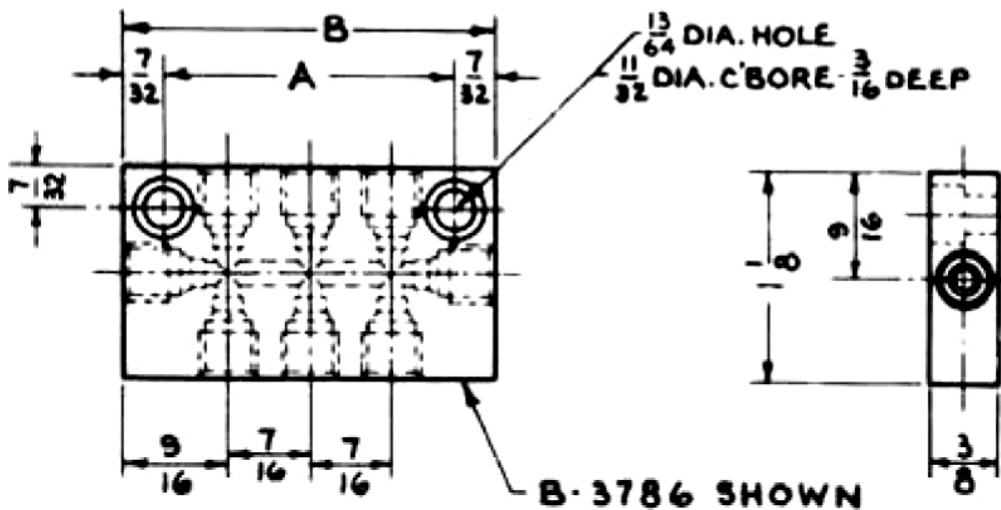
Use FJB meter units, CJB control units or compression fittings.



For tubing connection, use compression bushing #B1371 and compression sleeve #B1061. To close an outlet, use closure plug #B3784.

Name	A	B	5/16-24	M10x1
Junction Bar 6-Way, Double	1.3125"	1.8125"	B3109	31001-6
Junction Bar 8-Way, Double	1.9375"	2.4375"	B3253	31001-8
Junction Bar 10-Way, Double	2.5625"	3.0625"	B3254	31001-10
Junction Bar 12-Way, Double	3.1875"	3.6875"	B3249	---
Junction Bar 14-Way, Double	3.8125"	4.3125"	B4020	---
Junction Bar 16-Way, Double	4.4375"	4.9375"	B4025	---

5/16-24 Thread



For tubing connection, use compression bushing #B3783 and compression sleeve #B1061. To close an outlet, use closure plug #B3784.

Name	A	B	Part #
Junction Bar 6-Way, Double	1.125"	1.5625"	B3785
Junction Bar 8-Way, Double	1.5625"	2.0"	B3786
Junction Bar 10-Way, Double	2.0"	2.4375"	B3787
Junction Bar 12-Way, Double	2.4375"	2.875"	B3788
Junction Bar 14-Way, Double	2.875"	3.3125"	B3789

BIJUR DELIMON INTERNATIONAL

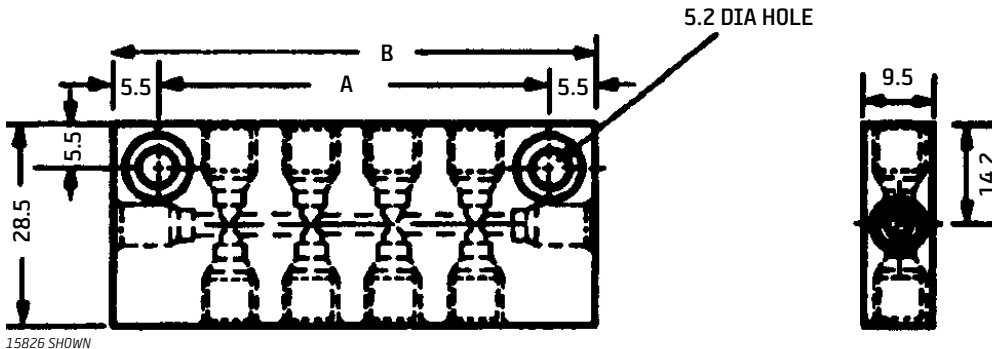
(919) 465 4448 LOCAL
(800) 631 0168 TOLL-FREE
(919) 465 0516 FAX

WWW.BIJURDELIMON.COM

2100 Gateway Centre Blvd., Suite 109
Morrisville, NC 27560

M8x1 Threads

Measurements shown in mm.



15826 SHOWN

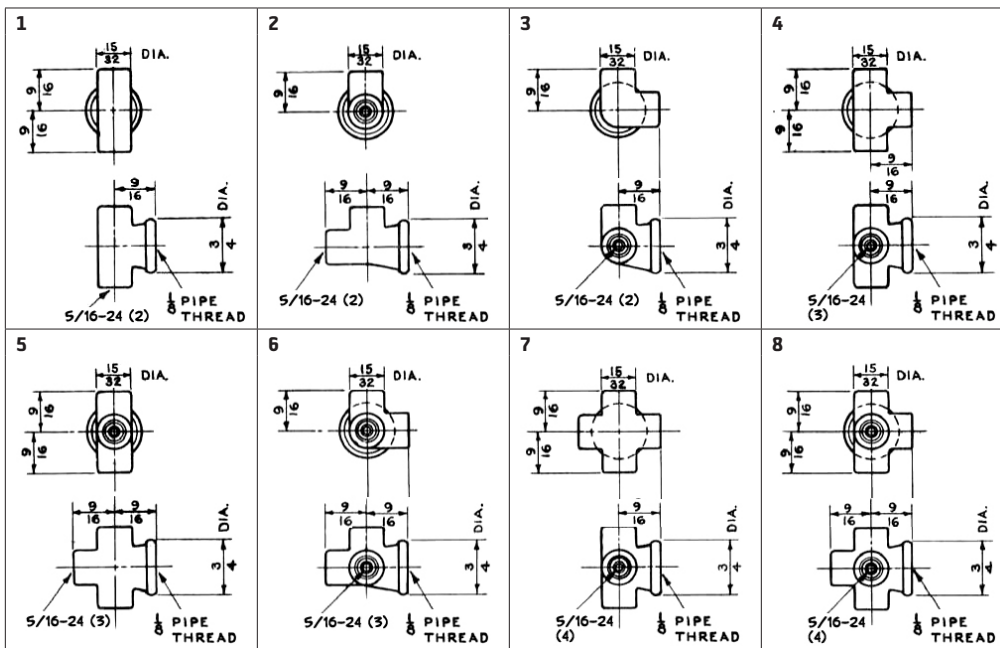
Name	A	B	Part #
Junction Bar 8-Way, Double	52mm	63.07mm	15821
Junction Bar 10-Way, Double	84mm	95.07mm	15826

Junction Headers

5/16-24 Thread (1 Side - 1/8 NPT)

For 5/32 O.D. tubing. Use FT meter units/CT control units.

To make tubing connection, use compression bushing #B1371 and compression sleeve #B1061.



Item	Name	Part #
1	Junction Header 3-Way (TA)	B1503
2	Junction Header 3-Way (TC)	B1538
3	Junction Header 3-Way (TD)	B1539
4	Junction Header 4-Way (TG)	B3150

Item	Name	Part #
5	Junction Header 4-Way (TB)	B1504
6	Junction Header 4-Way (TH)	B4047
7	Junction Header 5-Way (TH)	B2810
8	Junction Header 5-Way (TL)	B4367

BIJUR DELIMON INTERNATIONAL

(919) 465 4448 LOCAL
(800) 631 0168 TOLL-FREE
(919) 465 0516 FAX

WWW.BIJURDELIMON.COM

2100 Gateway Centre Blvd., Suite 109
Morrisville, NC 27560

35469 • R2 02/12