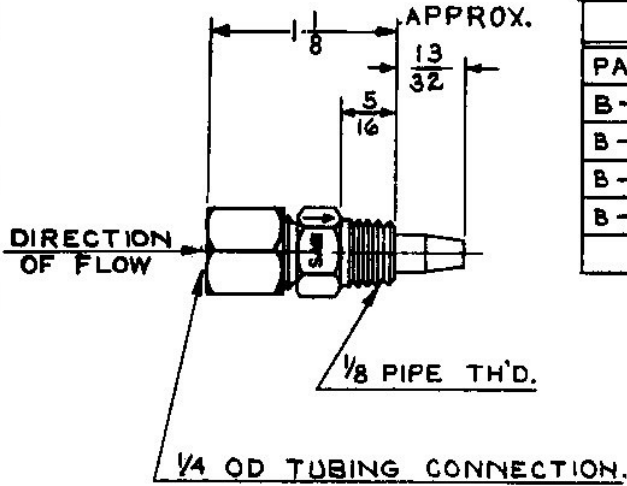


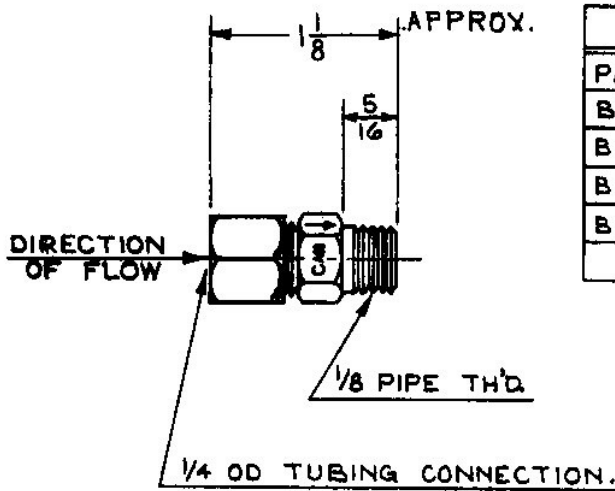
METER-UNITS, SPRAY JETS & MIST JETS

MIST LUBRICATOR TYPE Z

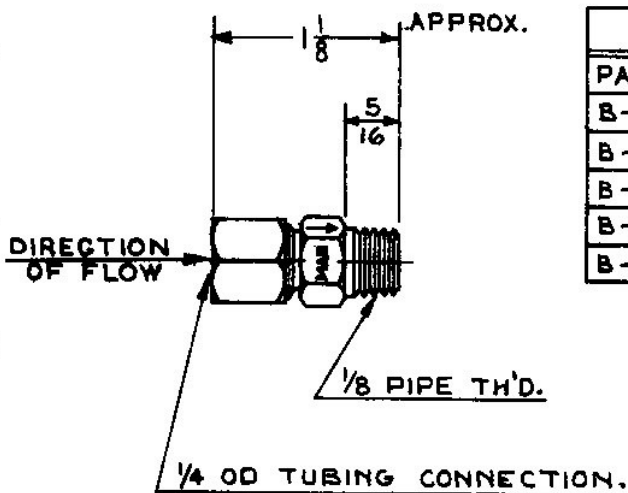
REMOVE COMPRESSION NUT & SLEEVE WHEN CONNECTING TO HOSE COUPLING ASSY, B-6866



SPRAY JET			
PART NO	SYMBOL	RATE	
B-6507	SA-1	1	
B-6511	SA-2	2	
B-6515	SA-3	3	
B-6516	SA-4	4	



METER-UNIT			
PART NO	SYMBOL	RATE	
B-6871	CA-1	1	
B-6872	CA-2	2	
B-6873	CA-3	3	
B-6874	CA-4	4	



MIST JET			
PART NO	SYMBOL	RATE	
B-6851	MA-1	1	
B-6852	MA-2	2	
B-6853	MA-3	3	
B-6854	MA-4	4	
B-6855	MA-5	5	

ME
TF

© 4-21-70 BIJUR
LUBRICATING CORP.

BIJUR LUBRICATING CORPORATION

2082