

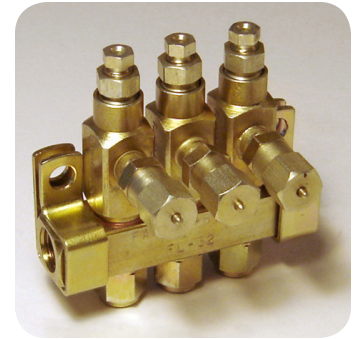
# FL-33 Injectors

## Grease

### General

Single and manifold injectors are adjustable up to 0.049cc (0.003 cubic inches) discharge per cycle.

Each manifold includes two mounting clips and screws (1/4" – 20 thread x 1/2" long hex head).

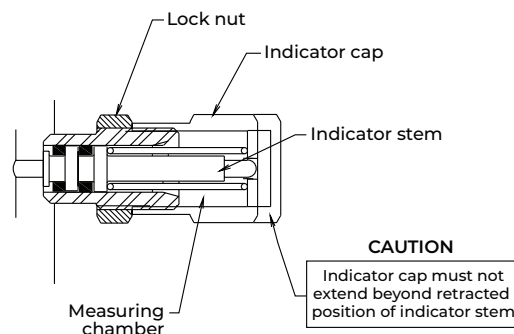


### Technical Data

Minimum Operating Pressure	1200 psi (82 bar)
Maximum Operating Pressure	3500 psi (238 bar)
Maximum Vent (Recharge Pressure)	200 psi (14 bar)
Grease	To NGLI grade 2
Minimum Grease Discharge	0.016cc (0.001 cu. in.)
Maximum Grease Discharge	0.049cc (0.003 cu. in.)
Adjusting Cap Range	2 turns from minimum
Material	Carbon steel, 300 series stainless steel
Surface Protection	Zinc
Seals	Viton
Maximum Operating Temperature	350°F (176°C)
Manifold Injector Inlet	1/8" NPTF (F)
Injector Outlet	1/8" O.D. tube connection

### Notes Regarding Use

1. Check discharge output from injector if cap is adjusted to less than 1/2 turn from minimum.
2. Use clean grease of proper grade as recommended by machine manufacturer. Check compatibility with synthetic lubricants.
3. Grease must be capable of being successfully primed through small bore tubing under pressure without separating.



BIJUR DELIMON INTERNATIONAL

(919) 465 4448 LOCAL  
(800) 631 0168 TOLL-FREE  
(919) 465 0516 FAX

[WWW.BIJURDELIMON.COM](http://WWW.BIJURDELIMON.COM)

1 Copley Parkway  
Suite 104  
Morrisville, NC 27560

## Adjustment

Injector output is controlled by the position of the indicator cap. The location of the cap determines the travel of the discharge piston. When the indicator is fully tightened onto the measuring chamber, lubricant output is decreased to a minimum. Retracting the indicator cap two full turns permits a maximum of .003 cu. in. to be discharged. Turning the indicator cap beyond two full turns will not increase lubricant output. When the individual injector has been adjusted to the desired output, tighten locknut against face of the indicator cap.

## How to Order

# of Outlets	Part # Carbon steel	300 Series Stainless Steel
1 (direct mount)	27164	27164-SS
1	27164-1	27164-1SS
2	27164-2	27164-2SS
3	27164-3	27164-3SS
4	27164-4	27164-4SS
5	27164-5	27164-5SS
6	27164-6	27164-6SS
7	-	27164-7SS
9	27164-9	27164-9SS
15	27164-15	-
Replacement (no manifold)	27164-R	27164-RSS

### When Ordering:

Specify by name and part number.

### Example:

FL-33 Grease Injector, Part #27164

### BIJUR DELIMON INTERNATIONAL

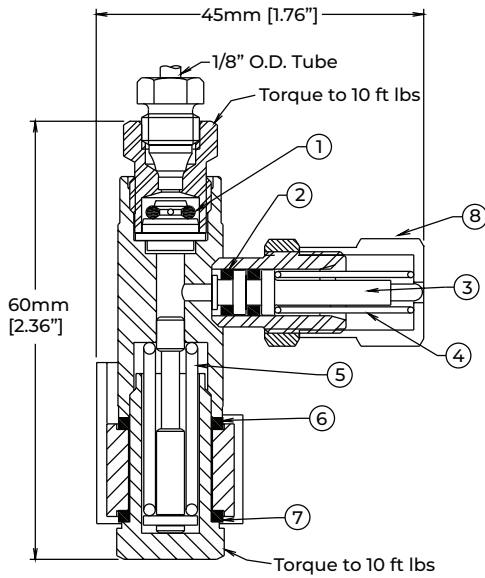
(919) 465 4448 LOCAL  
 (800) 631 0168 TOLL-FREE  
 (919) 465 0516 FAX

[WWW.BIJURDELIMON.COM](http://WWW.BIJURDELIMON.COM)

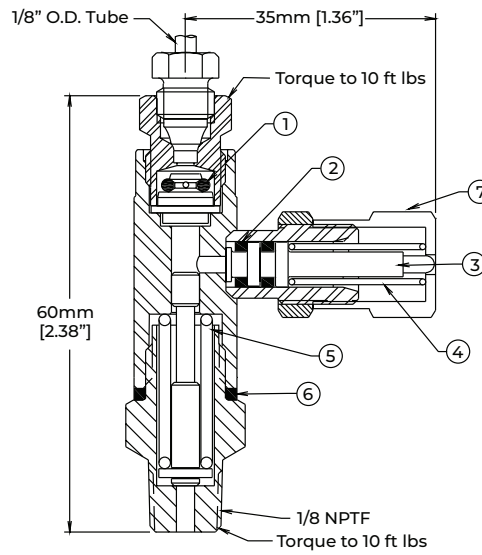
1 Copley Parkway  
 Suite 104  
 Morrisville, NC 27560

## Service Parts

### Manifold Mount



### Direct Mount



**NOTE:**

Replacement Outlet fittings:  
 P.N. 27339 Compression Bushing  
 P.N. 27338 Compression Sleeve  
 Add "SS" to end of part number for stainless.

Item	Description	Part #	
		Steel	Stainless Steel
---	Repair kit	27354	27857
	O-ring (1)	---	---
	Seal (2)	---	---
	Indicator (3)	---	---
	Spring (4)	---	---
	Spring (5)	---	---
	Seal washer (6)	---	---
	Seal washer (7)	---	---
	Indicator cap (8)	---	---

Item	Description	Part #	
		Steel	Stainless Steel
---	Repair kit	27354-1	27857-1
	O-ring (1)	---	---
	Seal (2)	---	---
	Indicator (3)	---	---
	Spring (4)	---	---
	Spring (5)	---	---
	Seal washer (6)	---	---
	Indicator cap (7)	---	---

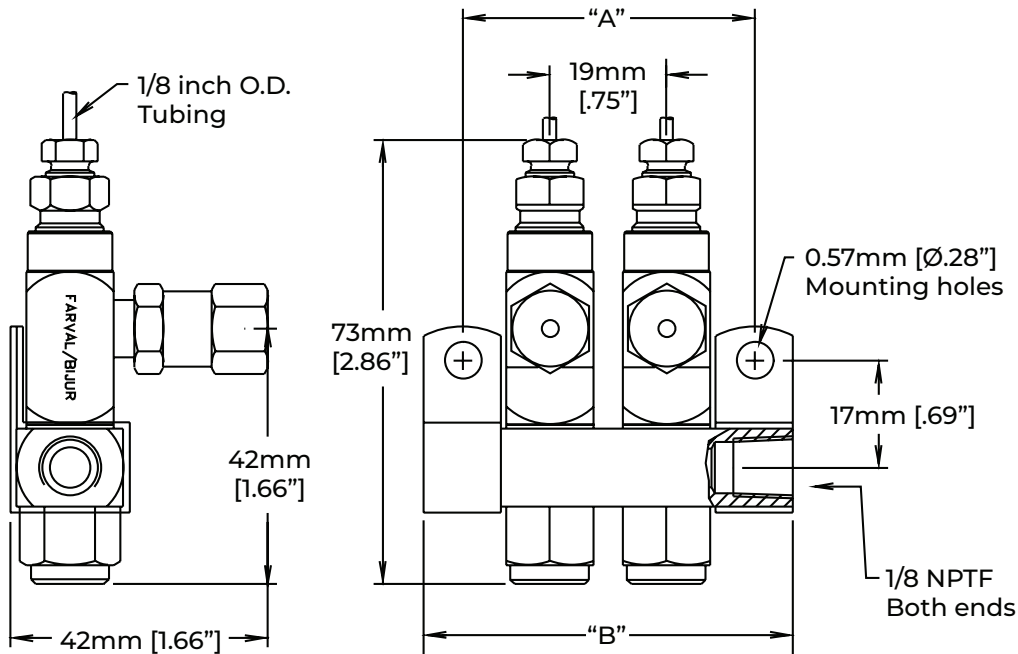
BIJUR DELIMON INTERNATIONAL

(919) 465 4448 LOCAL  
 (800) 631 0168 TOLL-FREE  
 (919) 465 0516 FAX

[WWW.BIJURDELIMON.COM](http://WWW.BIJURDELIMON.COM)

1 Copley Parkway  
 Suite 104  
 Morrisville, NC 27560

## Dimensional Schematics



Part #		Dimensions	
Carbon steel	300 Series Stainless Steel	A	B
27164	27164-SS	Single injector, direct mount [1/8" NPTF (M)]	
27164-1	27164-1SS	29mm (1-1/8")	41mm (1-5/8")
27164-2	27164-2SS	48mm (1-7/8")	60mm (2-3/8")
27164-3	27164-3SS	67mm (2-5/8")	79mm (3-1/8")
27164-4	27164-4SS	86mm (3-3/8")	98mm (3-7/8")
27164-5	27164-5SS	105mm (4-1/8")	117mm (4-5/8")
27164-6	27164-6SS	124mm (4-7/8")	136mm (5-3/8")
-	27164-7SS	143mm(5-5/8")	155mm(6-1/8")
27164-9	27164-9SS	200mm(7-7/8")	212mm(8-3/8")
27164-15	-	295mm(11-5/8")	307mm(12-3/32")
27164-R	27164-RSS	Replacement for manifolded mounted injectors	

BIJUR DELIMON INTERNATIONAL

(919) 465 4448 LOCAL  
 (800) 631 0168 TOLL-FREE  
 (919) 465 0516 FAX

[WWW.BIJURDELIMON.COM](http://WWW.BIJURDELIMON.COM)

1 Copley Parkway  
 Suite 104  
 Morrisville, NC 27560