



An IMCI Company
BIJUR DELIMON[®]
INTERNATIONAL



EXACTOSERVE[™] COMPONENTS

PUMPS, INJECTORS, CONTROLLERS

BULLETIN 414

Contents

| | |
|--------------------------------|-------|
| Introduction..... | 2-4 |
| Grease Injectors..... | 5-8 |
| Oil Injectors..... | 9-12 |
| Injector Accessories..... | 13-15 |
| Manual Grease Pumps..... | 16 |
| Air-Operated Grease Pumps..... | 17-19 |
| Electric Barrel Pumps..... | 20 |
| Air-Operated Oil Pumps..... | 21-22 |
| Electric Oil Pumps..... | 23 |
| Electric Grease Pumps..... | 24 |
| System Controllers..... | 25-27 |
| Solenoid Valves..... | 28 |
| Injector & Bearing Point | |
| Monitors..... | 29-30 |
| Pump Accessories..... | 31 |
| Tubing & Fittings | 32 |
| Notes | 33-34 |

*INSURES ACCURATE
LUBRICATION*

*ELIMINATES
LUBRICANT
CONTAMINATION*

EASILY EXPANDABLE

*PREVENTS PERSONAL
INJURY HAZARDS*

*PROLONGS MACHINE
LIFE*

*REDUCES REPAIRS
AND DOWNTIME*

Illustrations and specifications are not binding in detail. Designs are subject to modification and improvement without notice.

Introduction

ExactoServe lubricating systems are found in virtually every industry in which continuous duty operation is required. From canning and bottling to pulp and paper, from mining equipment to machine tools, automatic application of the lubricant provides significant benefits to the equipment user. There are several components that are used in designing an ExactoServe system:

- + Positive Displacement Injectors
- + Pump Units (Oil or Grease)
- + Vent Valve
- + Controllers

Positive Displacement Injectors

Injectors are the heart of ExactoServe lubrication systems. They are mounted close to the lubrication points and are hydraulically operated by pressure from the supply line. On each pressurization cycle, they discharge fixed volumes of lubricant to the bearing or lubrication point.

Pump Units (Oil or Grease)

Manual, pneumatic and electric pump units store and pump lubricant to injectors throughout the system.

Vent Valves

These valves relieve the system pressure, which causes injectors in the system to reload for next lube cycle.

Controllers

Programmable controllers give you access to key system functions, such as system on and off, and can control what happens when there is a problem in the system.

Advantages of ExactoServe Systems

- + Lubrication points can be added easily without redesigning the total system.
- + A blockage between injector and bearing will not shut the system down; remaining bearings will continue to be lubricated.
- + There are positive lubrication indicators for each bearing point.
- + They have the ability to positively displace a broad range of lubricants from light oil to #2 grease.
- + Lubrication discharge volume at each bearing is fully adjustable even after start-up.

Introduction

Simplicity

ExactoServe systems use a single supply line to feed all injectors from an individual pump. On large or multiple machine installations, careful design of the supply lines and use of manifold injectors can create a system of minimal complexity and cost.

The adjustable injectors make it easy to fine tune the system. Injectors can often be adjusted or replaced between cycles, meaning simple maintenance tasks won't interrupt operation.

Reliability

A lubrication system is your equipment's life support system. It prevents failure. It must be totally reliable. That's why ExactoServe, like all BDI products, meets the highest standards of trouble-free performance.

ExactoServe components are ruggedly constructed and withstand extreme industrial environments.

The system's distribution lines are totally sealed from pump to injector, meaning dirt or dust will not contaminate the lubricant. By maintaining clean oil or grease in the system reservoir you can ensure maximum machinery protection.

Principle of Operation

ExactoServe systems work on a two-stage cycle: pressure buildup and system vent.

At the heart of the system is a pump and central reservoir. Under pressure, grease or oil moves through supply lines to the injectors.

To trigger the injectors, system pressure builds up rapidly during the pressure cycle, forcing injector discharge. Pressure is then vented, allowing the injectors to reset for the next cycle.

The Right System

BDI offers a system to match your machine's requirement to your budget. Choose from:

Manual lubricators offer an affordable solution for small machines. An operator pressurizes a manual system by working a pump handle. Once the injectors discharge, the operator manually vents the system pressure. This action resets the system for the next cycle.

Air-driven lubricators operate on compressed shop air. After injector discharge, air-driven systems are automatically vented and reset. Cycle time is set by a built-in or external controller.

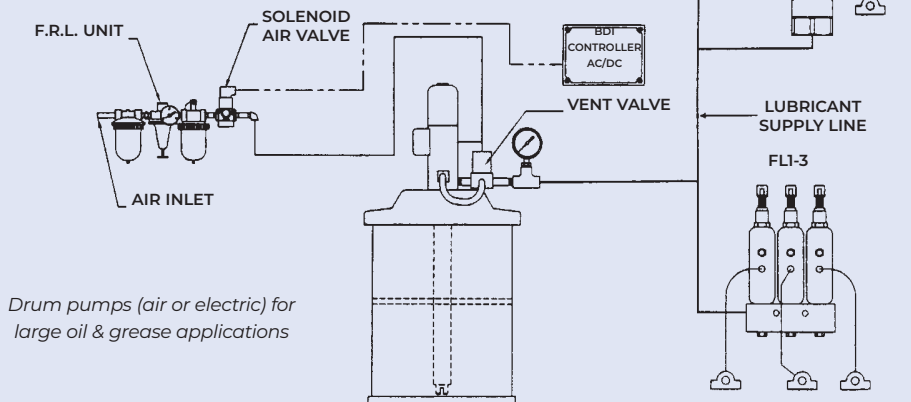
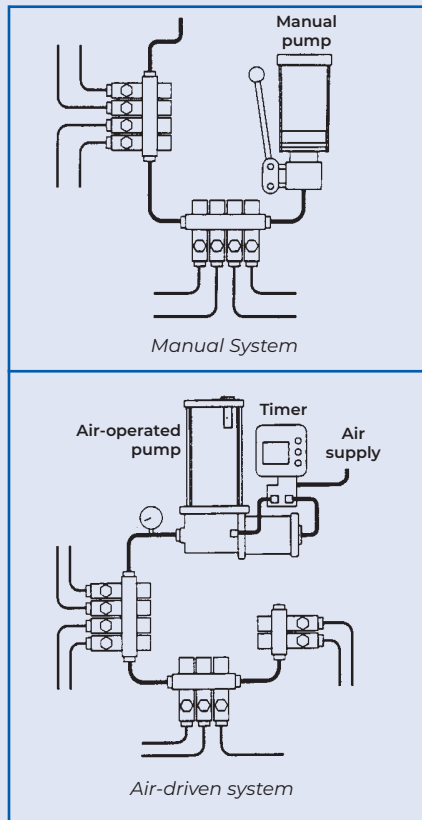
BDI's drum pumps are high capacity air-driven lubricators used for larger grease systems. Drum pumps require a separate controller and vent valve.

BDI electric motor driven pumps are used where compressed air is not available, or electrical operation is preferred. Time control is adjustable to provide predetermined frequency of lubrication.

Putting the system together

The final system may include an external controller. BDI's SS2200 and SC400 programmable controllers will control cycle times for any system.

Other system components include timers, gauges, grease strainers, flexible hose and brushes.



Introduction

Injector Operating Sequence

BDI injectors can be adjusted to dispense the amount of lube each bearing requires. Injectors are typically mounted in a manifold with feedlines supplying lube to the bearings. Injectors are supplied with oil/grease via a pump through a lube supply line.

FL-1, -11, -44, -45

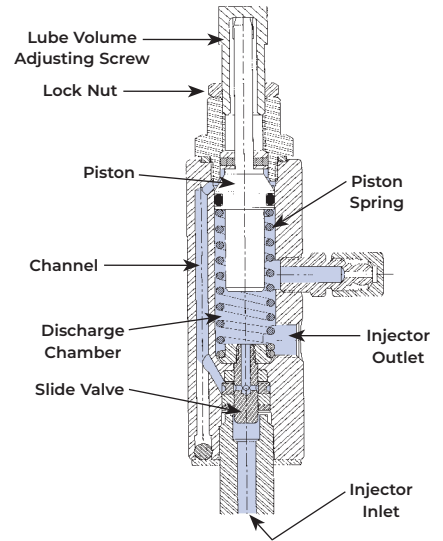
(1) Under pump pressure lube enters injector inlet (2) Slide valve is lifted allowing lube flow into channel and to top of piston (3) As incoming pressure moves piston down, a metered amount of lube is discharged out of injector outlet (4) When lube cycle is completed and pump stops, the system pressure is vented/relieved through vent valve allowing piston spring to retract forcing lube back down channel and into cross drilled port in slide valve, this places a metered amount of lube in discharge chamber for the next cycle.

FL-1, -11, -44, -45 Injector Output Adjustment

Minimum output is achieved by loosening lock nut and hand tighten adjustment screw

Maximum output is 10 turns from minimum setting at approx. .008 cu. in. per turn for FL-1, 44 and .040 cu. in. per turn for FL-11, 45

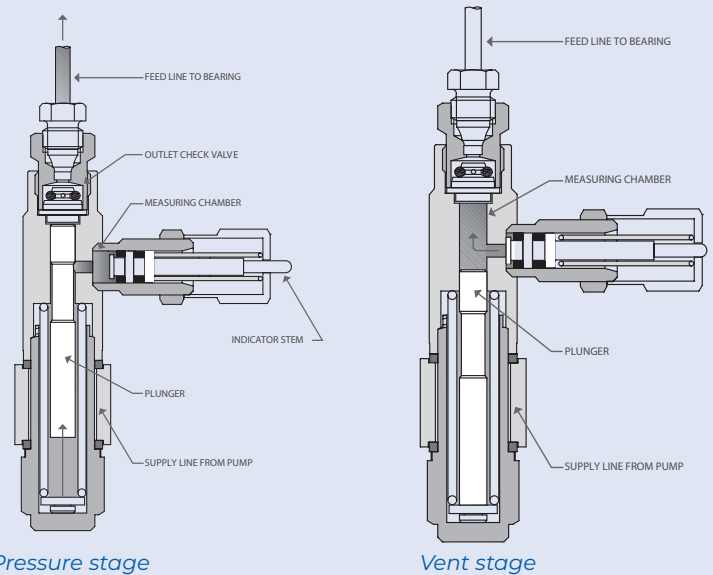
Note: Always verify flow at minimum setting.



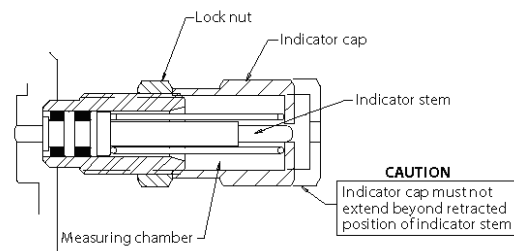
FL-32, -33, -42, -43

Pressure stage - Pressure from the supply line moves the plunger forward. This forces a pre-measured amount of lubricant (delivered during previous vent stage) out of the discharge chamber outlet. At the same time, lubricant is transferred into the measuring chamber - the indicator stem extends as this chamber fills.

Vent stage - System pressure is vented. The plunger retracts to its original position. This movement allows lubricant stored in the measuring chamber to empty into the discharge chamber; the indicator stem retracts.



Adjusting ExactoServe Injector Discharge



On all ExactoServe injectors, the amount of discharge is controlled by the position of the indicator cap.

To decrease injector output to the minimum discharge, hand tighten the indicator cap onto the measuring chamber.

To increase injector output to the maximum, loosen the indicator cap its full range — five turns for the FL-32 or FL-43; two turns for the FL-33 or FL-42.

When the indicator cap is adjusted to the desired position, tighten the adjacent locknut against its face.

Note: Loosening the indicator cap beyond the maximum will not increase output and may interfere with the operation of the indicator stem.

Note: Always verify flow at minimum setting

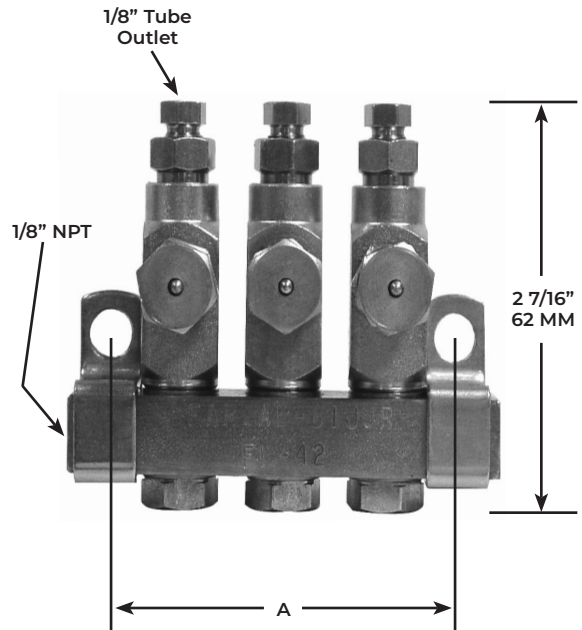
Grease Injectors

Series FL-33

FL-33 injectors are positive displacement grease dispensing valves. They can be used in lube circuits with our FL-32/FL-1/FL-11 series injectors.

Features That Makes the Difference

- VITON O-rings standard to protect against high heat & synthetic lubricants
- Form, fit and functional interchangeable with major competitive brand
- All injectors are shipped with vinyl cover caps standard
- Operating pressures to 3,500 psi
- All manifolded injectors include outlet tube fittings and manifold mounting brackets & screws
- Available in standard or 300 series stainless steel
- Adjustable grease output
- Visual operating indicator pin



Ordering Information

| Model | | Number of Injectors | Dimensions | |
|--------------|----------------------------|---------------------|------------------------------|-----|
| Carbon Steel | 300 Series Stainless Steel | | A | |
| | | | In. | MM |
| 27164-1 | 27164-1SS | 1 | 1 1/8 | 29 |
| 27164-2 | 27164-2SS | 2 | 1 7/8 | 48 |
| 27164-3 | 27164-3SS | 3 | 2 5/8 | 67 |
| 27164-4 | 27164-4SS | 4 | 3 3/8 | 86 |
| 27164-5 | 27164-5SS | 5 | 4 1/8 | 105 |
| 27164-6 | 27164-6SS | 6 | 4 7/8 | 124 |
| -- | 27164-7SS | 7 | 5 5/8 | 143 |
| 27164-9 | 27164-9SS | 9 | 7 1/8 | 181 |
| 27164-15 | -- | 15 | 11 5/8 | 295 |
| 27164 | 27164SS | 1 | Single Injector/Direct Mount | |
| 27163-R | 27164-RSS | 1 | Single Replacement Injector | |

FL-33 Series Specifications

| | |
|---------------------------------|---|
| Operating Pressure | Maximum: 3500 psi (241 BAR) Minimum: 1200 psi (83 BAR) |
| Lube Output - Adjustable | .001 cu. in. (.016 cc) - .003 cu. in. (.049 cc) |
| Vent/Relief Pressure | 200 psi (14 BAR) or less |
| Lubricants | Up to NLGI #2 grease |
| Seals | Viton O-rings (70 durometer) |
| Max. Temperature | 350°F (176°C) |
| Material | Steel with zinc and yellow chromate plating or 300 series stainless steel |
| Pipe Connections | Injector manifold inlet - 1/8" NPT Injector outlet - 1/8" O.D. tube |

Refer to the following documents for more info:

+ Datasheet #27317: FL-33 Injector

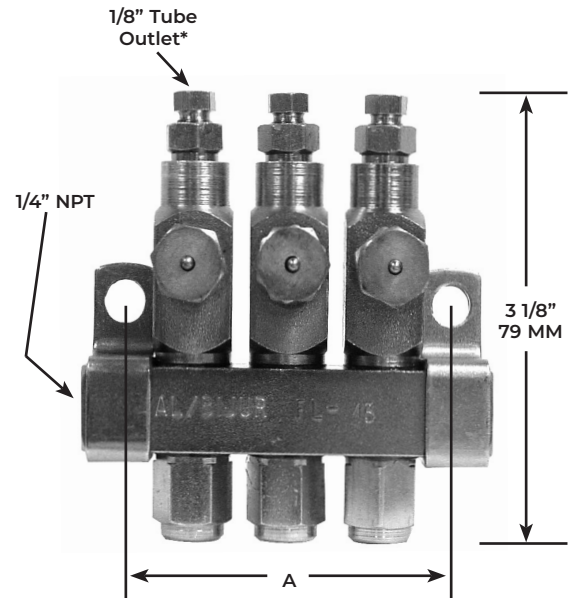
Grease Injectors

Series FL-32

FL-32 injectors are positive displacement grease dispensing valves. They can be used in lube circuits with our FL-33/FL-1/FL-11 series injectors.

Features That Make the Difference

- VITON O-rings standard to protect against high heat & synthetic lubricants
- Form, fit and functional interchangeable with major competitive brand
- All injectors are shipped with vinyl cover caps standard
- Operating pressures to 3,500 psi
- All manifolded injectors include outlet tube fittings and manifold mounting brackets & screws
- Available in standard or 300 series stainless steel
- Adjustable grease output
- Visual operating indicator pin



Ordering Information

| Model | | Number of Injectors | Dimensions | |
|--------------|----------------------------|---------------------|---|----|
| Carbon Steel | 300 Series Stainless Steel | | A | |
| | | | In. | MM |
| 27163-1 | 27163-1SS | 1 | 1 1/4 | 32 |
| 27163-2 | 27163-2SS | 2 | 2 | 51 |
| 27163-3 | 27163-3SS | 3 | 2 3/4 | 70 |
| 27163-4 | 27163-4SS | 4 | 3 1/2 | 89 |
| 27163 | 27163SS | 1 | Single Injector/Direct Mount | |
| 27163-R | 27163-RSS | 1 | Single Replacement Injector | |
| 37997 | -- | 1 | Single Replacement Injector 1/8" NPT female outlet | |

FL-32 Series Specifications

| | |
|---------------------------------|---|
| Operating Pressure | Maximum: 3500 psi (241 BAR) Minimum: 1200 psi (83 BAR) |
| Lube Output - Adjustable | .001 cu. in. (.016 cc) - .008 cu. in. (.131 cc) |
| Vent/Relief Pressure | 200 psi (14 BAR) or less |
| Lubricants | Up to NLGI #2 grease |
| Seals | Viton O-rings (70 durometer) |
| Max. Temperature | 350°F (176°C) |
| Material | Steel with zinc and yellow chromate plating or 300 series stainless steel |
| Pipe Connections | Injector manifold inlet - 1/4" NPT Injector outlet - 1/8" O.D. tube |

**37997 has 1/8" NPT female threads*

Refer to the following documents for more info:

+ Datasheet #27314: FL-32 Injector

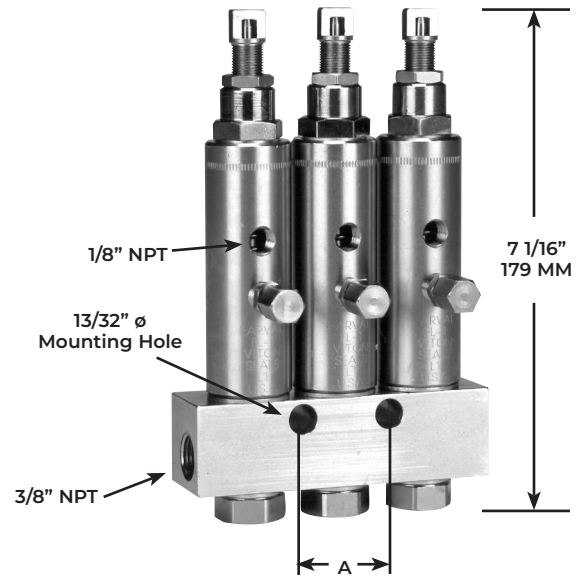
Grease Injectors

Series FL1

FL-1 injectors are positive displacement grease dispensing valves. They can be used in lube circuits with our FL-32/FL-33/FL-11 series injectors.

Features That Make the Difference

- VITON O-rings standard to protect against high heat & synthetic lubricants
- Form, fit and functional interchangeable with major competitive brand
- All injectors are shipped with vinyl cover caps standard
- Operating pressures to 3,500 psi
- Adjustable grease output
- Visual operating indicator pin
- Includes feed line fill fitting



Ordering Information

| Model | | Number of Injectors | Dimensions | |
|--------------|----------------------------|---------------------|---|-----|
| Carbon Steel | 300 Series Stainless Steel | | A | |
| | | | In. | MM |
| FL11 | FL11-SS | 1 | Single Hole Mounting | |
| FL12 | FL12-SS | 2 | | |
| FL13 | FL13-SS | 3 | 1 1/4 | 32 |
| FL14 | FL14-SS | 4 | 2 1/2 | 63 |
| FL15 | FL15-SS | 5 | 3 3/4 | 95 |
| FL16 | FL16-SS | 6 | 5 | 127 |
| 13844 | -- | 1 | Single Injector/No Manifold (3/8" NPTF (M) inlet) | |
| 13843 | 13843-SS | 1 | Replacement for manifold injector | |

FL 1 Series Specifications

| | |
|---------------------------------|---|
| Operating Pressure | Maximum: 3500 psi (241 BAR) Minimum: 1850 psi (127 BAR) |
| Lube Output - Adjustable | .008 cu. in. (.131 cc) - .100 cu. in. (1.64 cc) |
| Vent/Relief Pressure | 600 psi (41 BAR) or less |
| Lubricants | Up to NLGI #2 grease |
| Seals | Viton O-rings (70 durometer) |
| Max. Temperature | 350°F (176°C) |
| Material | Steel with zinc and yellow chromate plating or 300 series stainless steel |
| Pipe Connections | Injector manifold inlet - 3/8" NPT Injector outlet - 1/8" NPT |

Refer to the following documents for more info:

+ Datasheet #34254: FL1 Injector

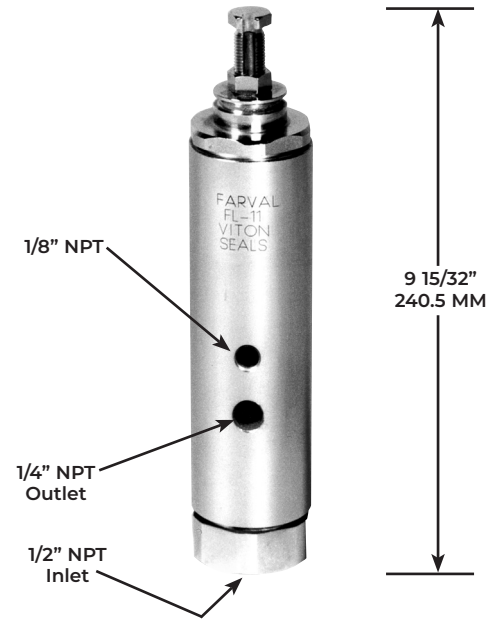
Grease Injectors

Series FL-11

FL-11 injectors are positive displacement grease dispensing valves. They can be used in lube circuits with our FL-32/FL-33/FL-1 series injectors.

Features That Make the Difference

- VITON O-rings standard to protect against high heat & synthetic lubricants
- Form, fit and functional interchangeable with major competitive brand
- All injectors are shipped with vinyl cover caps standard
- Operating pressures to 3,500 psi
- Adjustable grease output
- Visual operating indicator pin
- Includes feed line fill fitting



Ordering Information

| |
|--------------|
| Model |
| Carbon Steel |
| FL-11 |

FL-11 Series Specifications

| | |
|---------------------------------|---|
| Operating Pressure | Maximum: 3500 psi (241 BAR) Minimum: 1000 psi (69 BAR) |
| Lube Output - Adjustable | .050 cu. in. (.82 cc) - .500 cu. in. (.8.2 cc) |
| Vent/Relief Pressure | 800 psi (55 BAR) or less |
| Lubricants | Up to NLGI #2 grease |
| Seals | Viton O-rings (70 durometer) & hytrel packings |
| Max. Temperature | 200°F (93°C) |
| Material | Steel with zinc and yellow chromate plating |
| Pipe Connections | Injector inlet - 1/2" NPT Injector outlet - 1/4" NPT |

Refer to the following documents for more info:

+ Datasheet #34255: FL-11 Injector

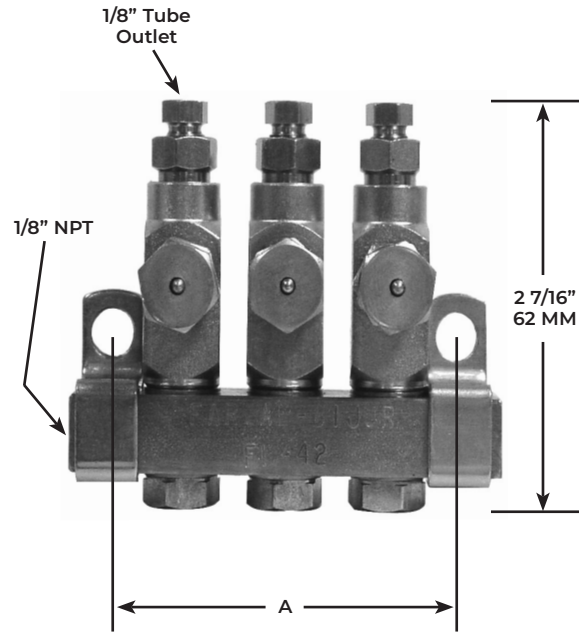
Oil Injectors

Series FL-42

FL-42 injectors are positive displacement oil dispensing valves. They can be used in lube circuits with our FL-43/FL-44/FL-45 series injectors.

Features That Make the Difference

- VITON O-rings standard to protect against high heat & synthetic lubricants
- Form, fit and functional interchangeable with major competitive brand
- All injectors are shipped with vinyl cover caps standard
- Operating pressures to 1,000 psi
- All manifolded injectors include outlet tube fittings & manifold mounting brackets & screws
- Adjustable oil output
- Visual operating indicator pin



Ordering Information

| Model | | Number of Injectors | Dimensions | |
|-------------------------|----------------------------|---------------------|------------------------------|-----|
| Standard Heat Resistant | 300 Series Stainless Steel | | A | |
| | | | In. | MM |
| 27165-1 | 27165-1SS | 1 | 1 1/8 | 29 |
| 27165-2 | 27165-2SS | 2 | 1 7/8 | 48 |
| 27165-3 | 27165-3SS | 3 | 2 5/8 | 67 |
| 27165-4 | 27165-4SS | 4 | 3 3/8 | 86 |
| 27165-5 | 27165-5SS | 5 | 4 1/8 | 124 |
| 27165-6 | 27165-6SS | 6 | 4 7/8 | 124 |
| 27165-15 | -- | 15 | 11 5/8 | 295 |
| 27165-R | 27165-RSS | 1 | Single Replacement Injector | |
| 27165 | 27165SS | 1 | Single Injector/Direct Mount | |

FL-42 Series Specifications

| | |
|---------------------------------|---|
| Operating Pressure | Maximum: 1000 psi (69 BAR) Minimum: 750 psi (52 BAR) |
| Lube Output - Adjustable | .001 cu. in. (.016 cc) - .003 cu. in. (.049 cc) |
| Vent/Relief Pressure | 150 psi (10 BAR) or less |
| Lubricants | Oil - semi fluid grease |
| Seals | Viton O-rings (70 durometer) |
| Max. Temperature | 350°F (176°C) |
| Material | Steel with zinc and yellow chromate plating or 300 series stainless steel |
| Pipe Connections | Injector manifold inlet - 1/8" NPT Injector outlet - 1/8" O.D. tube |

Refer to the following documents for more info:

+ Datasheet #27311: FL-42 Injector

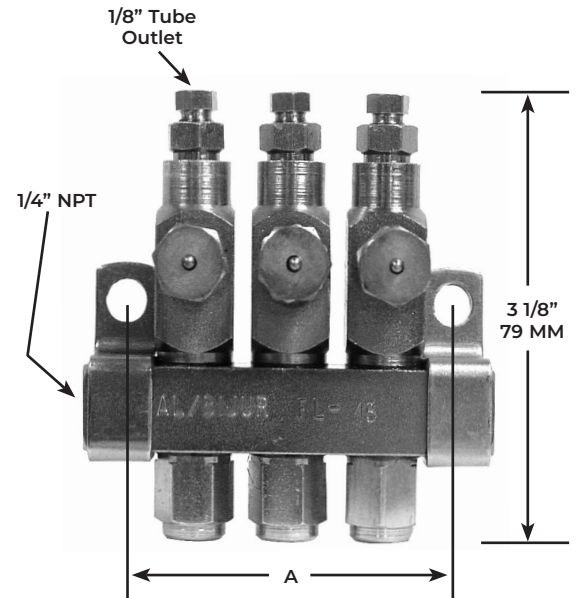
Oil Injectors

Series FL-43

FL-43 injectors are positive displacement oil dispensing valves. They can be used in lube circuits with our FL-42/FL-44/FL-45 series injectors.

Features That Make the Difference

- VITON O-rings standard to protect against high heat & synthetic lubricants
- Form, fit and functional interchangeable with major competitive brand
- All injectors are shipped with vinyl cover caps standard
- Operating pressures to 1,000 psi
- All manifolded injectors include outlet tube fittings & manifold mounting brackets & screws
- Adjustable oil output
- Visual operating indicator pin



Ordering Information

| Model | | Number of Injectors | Dimensions | |
|-------------------------|----------------------------|---------------------|-------------------------------------|----|
| Standard Heat Resistant | 300 Series Stainless Steel | | A | |
| | | | In. | MM |
| 27166-1 | 27166-1SS | 1 | 1 1/4 | 32 |
| 27166-2 | 27166-2SS | 2 | 2 | 51 |
| 27166-3 | 27166-3SS | 3 | 2 3/4 | 70 |
| 27166-4 | 27166-4SS | 4 | 3 1/2 | 89 |
| 27166 | 27166SS | 1 | Replacement for Manifolded Injector | |
| 27166-R | 27166-RSS | 1 | Single Injector/Direct Mount | |

FL-43 Series Specifications

| | |
|---------------------------------|---|
| Operating Pressure | Maximum: 1000 psi (69 BAR) Minimum: 750 psi (52 BAR) |
| Lube Output - Adjustable | .001 cu. in. (.016 cc) - .008 cu. in. (.131 cc) |
| Vent/Relief Pressure | 150 psi (10 BAR) or less |
| Lubricants | Oil - semi fluid grease |
| Seals | Viton O-rings (70 durometer) |
| Max. Temperature | 350°F (176°C) |
| Material | Steel with zinc and yellow chromate plating or 300 series stainless steel |
| Pipe Connections | Injector manifold inlet - 1/4" NPT Injector outlet - 1/8" O.D. tube |

Refer to the following documents for more info:

+ Datasheet #27313: FL-43 Injector

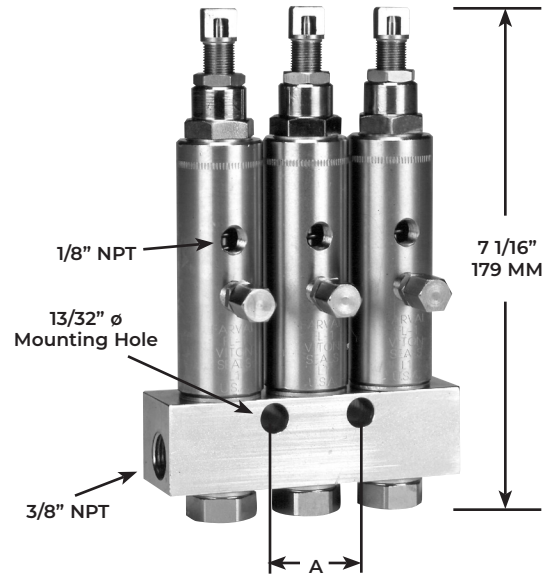
Oil Injectors

Series FL-44

FL-44 injectors are positive displacement oil dispensing valves. They can be used in lube circuits with our FL-42/FL-43/FL-45 series injectors.

Features That Make the Difference

- VITON O-rings standard to protect against high heat & synthetic lubricants
- Form, fit and functional interchangeable with major competitive brand
- All injectors are shipped with vinyl cover caps standard
- Operating pressures to 1,000 psi
- Adjustable oil output
- Visual operating indicator pin
- Includes feed line fill fitting



Ordering Information

| Model | Number of Injectors | Dimensions | |
|--------------|---------------------|------------------------------------|----|
| | | A | |
| Carbon Steel | | In. | MM |
| FL44-1 | 1 | Single Hole Mounting | |
| FL44-2 | 2 | | |
| FL44-3 | 3 | 1 1/4 | 32 |
| FL44-4 | 4 | 2 1/2 | 63 |
| FL44-5 | 5 | 3 3/4 | 95 |
| FL44-6 | 6 | 2 1/2 | 63 |
| FL44 | 1 | Replacement for Manifoldd Injector | |
| FL44-DM | 1 | Single Injector/Direct Mount | |

FL-44 Series Specifications

| | |
|---------------------------------|--|
| Operating Pressure | Maximum: 1000 psi (69 BAR) Minimum: 750 psi (52 BAR) |
| Lube Output - Adjustable | .008 cu. in. (.031 cc) - .100 cu. in. (1.64 cc) |
| Vent/Relief Pressure | 150 psi (10 BAR) or less |
| Lubricants | Oil - semi fluid grease |
| Seals | Viton O-rings (70 durometer) |
| Max. Temperature | 350°F (176°C) |
| Material | Steel with zinc and yellow chromate plating |
| Pipe Connections | Injector manifold inlet - 3/8" NPT Injector outlet - 1/8" NPT |

Refer to the following documents for more info:

+ Datasheet #32725: FL-44 Injector

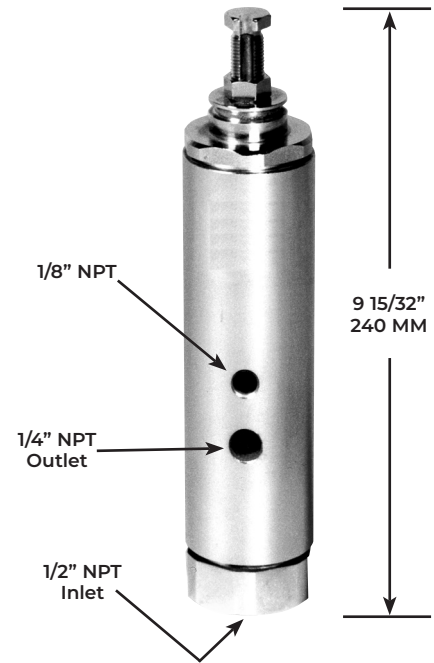
Oil Injectors

Series FL-45

FL-45 injectors are positive displacement oil dispensing valves. They can be used in lube circuits with our FL-42/FL-43/FL-44 series injectors.

Features That Make the Difference

- VITON O-rings standard to protect against high heat & synthetic lubricants
- All injectors are shipped with vinyl cover caps standard
- Operating pressures to 1,000 psi
- Adjustable oil output
- Visual operating indicator pin
- Includes feed line fill fitting



Ordering Information

| |
|--------------|
| Model |
| Carbon Steel |
| FL-45 |

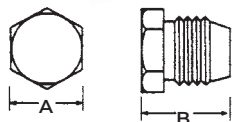
FL-45 Series Specifications

| | |
|--------------------------|---|
| Operating Pressure | Maximum: 1000 psi (69 BAR) Minimum: 750 psi (52 BAR) |
| Lube Output - Adjustable | .050 cu. in. (.82 cc) - .500 cu. in. (.8.2 cc) |
| Vent/Relief Pressure | 150 psi (10 BAR) or less |
| Lubricants | Oil - semi fluid grease |
| Seals | Viton O-rings (70 durometer) & hytrel packings |
| Max. Temperature | 200°F (93°C) |
| Material | Steel with zinc and yellow chromate plating |
| Pipe Connections | Injector inlet - 1/2\" NPT Injector outlet - 1/4\" NPT |

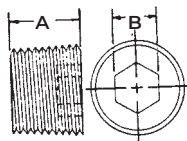
Refer to the following documents for more info:

+ Datasheet #32698: FL-45 Injector

Injector Accessories



Type 1



Type 2

Pipe Plugs for Injectors / Manifolds

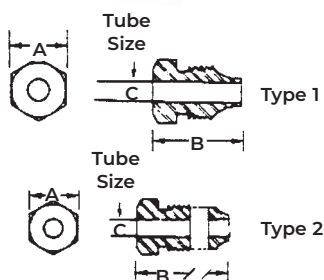
Used to plug lube outlets of injectors / manifolds

Ordering Information

| Model | Thread Type (in.) | A (in.) | B (in.) | Type |
|--|-------------------|---------|---------|------|
| 27336 ¹ (Steel) | 5/16-24 | 5/16 | 1/2 | 1 |
| 27336SS ¹ (Stainless Steel) | | | | |
| U119AC (Steel) | 1/8 NPT | 5/16 | 3/16 | 2 |
| UST119AC (Stainless Steel) | | | | |
| U119CC (Steel) | 3/8 NPT | 1/2 | 5/16 | 2 |
| U119BC (Steel) | | | | |
| UST119BC (Stainless Steel) | 1/4 NPT | 7/16 | 1/4 | 2 |
| | | | | |

Note¹: For plugging outlet of series FL-32, 33, 42, 43 injectors.

Compression Nuts for Injector Outlets



| Model | Thread Type (in.) | A (in./mm.) | B (in./mm.) | C (Tube O.D.) | Type |
|----------------------------|-------------------|-------------|-------------|---------------|------|
| 27337 (Brass) | 5/16-24 | 5/16 / 7.9 | 1/2 / 12/7 | 1/8 | 1 |
| 27340 (Brass) | | | | | 2 |
| 27340SS (Stainless Steel) | | | | | 2 |
| 27341 ¹ (Brass) | 7/16-24 | 7/16 / 11.1 | 5/8 / 15.9 | 1/4 | 1 |

Note¹: Use with 27349 Adapter - page 14.

Vent Valve Part No. 13850

Vent Valve is used with injectors to relieve system pressure back to reservoir after a lubrication cycle. With a pneumatic operated drum pump, air pressure would be applied to the vent valve at the same time as the pump. When air pressure is relieved from pump and vent valve, lubricant moves past the valve seat and out vent port, and piped back to the drum.

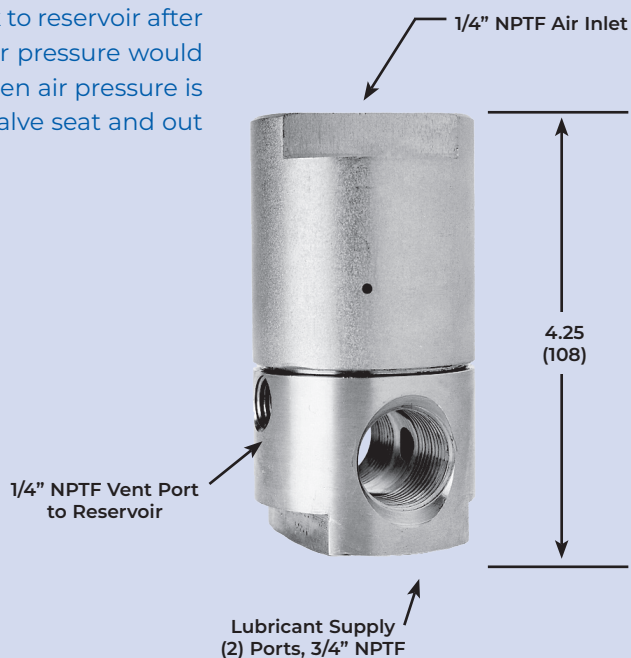
Specifications

| | |
|-------------------------|--------------------------|
| Max. Air Pressure | 120 psi (8 bar) |
| Min. Air Pressure | 40 psi (3 bar) |
| Max. Lubricant Pressure | 3800 psi (262 bar) |
| Mounting | Any position |
| Recommended Lubricants | Oil to NLGI No. 2 grease |

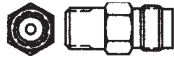
Refer to the following documents for more info:

- + Datasheet #35976: Vent Valve
- + Datasheet #32238: Vent Valve Kit

Note: Also available as an assembly with air, and lube hoses and fittings. Order Part #32087.



Injector Accessories



Injector Outlet Adapter

For use with FL-32, FL-33, FL-42 and FL-43 Injectors.

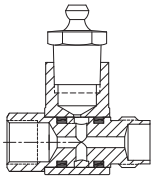
Part No. 37463, 1/8" NPT Female

Part No. 27349, 1/4" O.D. Tube (Use with 27341 - pg. 13)

Part No. 27351, 1/8" NPT Male

Part No. 37458+37244+37460, 6mm O.D. Tube Adapter

Part No. 27167-1, 4mm O.D. Tube(5/32") (Use with B3783 & B8272 or B1061)



Manual Lubrication Adapter

Allows pre-filling of feed lines and manual lubrication of the machine.

For use with FL-32, FL-33, FL-42 and FL-43 injectors.

Part No. 37035 has 1/8 NPT Female Connection



FL Manifold Plug Kit

Allows plugging of ports on FL1 & FL44 manifolds.

Part No. 37233



Injector Connector Tube

Combines discharge of two or more injectors through one feed line. It is used when a bearing lube requirement cannot be met from one injectors output.

| Model | For Injector Series | Connections |
|-------|---------------------|----------------|
| 13899 | FL-1, 44 | 1/8" NPTF Male |

Injector Cover Caps

Injector cover caps protect the injector from dirt, and other harmful contaminants.



| Model | For Injector Series | Application | Material | Length | |
|--------|------------------------|-------------------|----------|--------|------|
| | | | | In. | MM. |
| U1732D | FL-1, FL44 | Indicator Stem | Vinyl | 1.5 | 38.1 |
| U1732E | FL11/FL-45 | | | 2.0 | 50.8 |
| 27335 | FL32, FL33, FL42, FL43 | Measuring Chamber | | 1.25 | 31.2 |

Injector Accessories

Operation

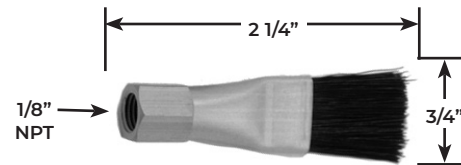
Brush Assemblies are suitable for lubricating various moving machine components such as: chains, gears, cams, etc. Oil flow to each brush may be governed by a FL-42, 43, 45, or 44 series injector.

Technical Data

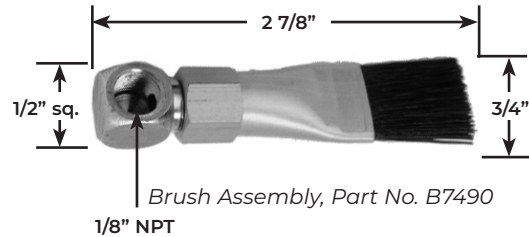
| | |
|--------------------------|----------------------------|
| Bristle Material | .012" diameter black nylon |
| Temperature Range | -30°F to +200°F |

Installation

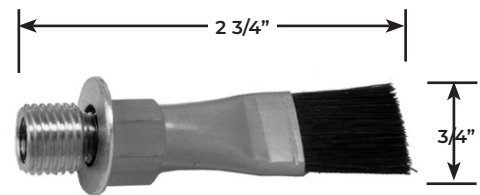
Bristle end of brush must be below inlet connection. Mount securely to avoid vibration.



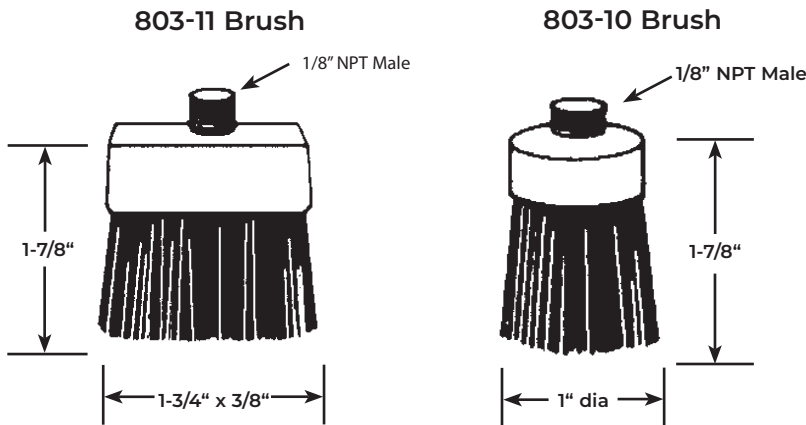
Brush Assembly, Part No. B7488



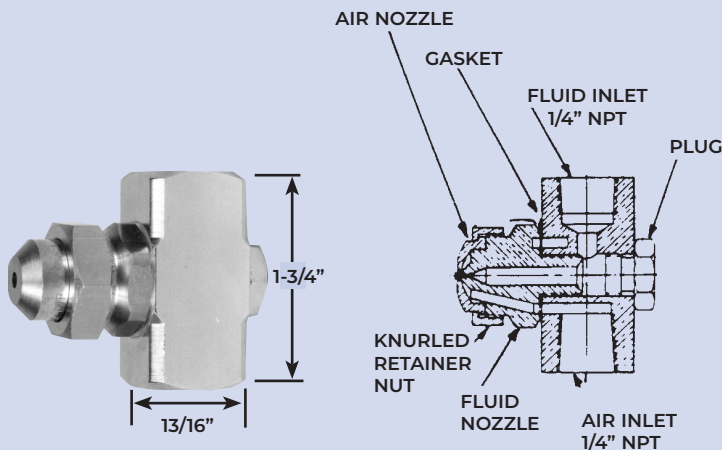
Brush Assembly, Part No. B7490



| Bulkhead Mounted Brush Assembly | Part Number |
|--|-------------|
| 1/8" Pipe Tap (Female) 9/16" - 18 Male Thread | B7492 |



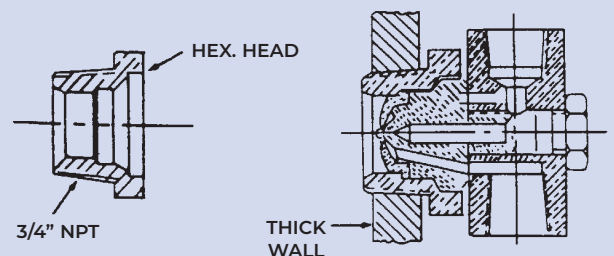
U922C Spray Nozzle Assemblies



Maximum Working Pressure - 500 psi

U922C - STANDARD
U922C-SS - STAINLESS STEEL

U987 Spray Nozzle Adapter (For Wall Mounting U922C)



Replace retainer nut of U922C with adapter. Adapter threads directly into wall.

Manual Grease Pumps

25057-1 Economy Grease Pump

Manual actuated piston pump with a built-in pressure relief valve. Unit can be used in conjunction with FL-32, -33, injectors. Pump is equipped with a grease follower plate and can discharge soft greases. All models have 'see through' plastic reservoirs.

| | |
|-------------------------------|--|
| Model | 25057-1 |
| Discharge Per Cycle | .060 cu. in. (1.0 cc) |
| Reservoir Capacity | 2 lb. (1 kg) |
| Lube Outlet | 1/8" NPTF (F) |
| Operating Pressure | Max. 2175 psig (150 bar) |
| Dimensions (H x W x L) | 13.5" x 5.5" x 6.6" (343 x 140 x 167 mm) |
| Filling Method | Bulk Fill |



Refer to the following documents for more info:

+ *Datasheet #27402: Manual Injector Lubricator*

DA4101AC Grease Pump

Manual actuated piston pump with a built-in pressure relief valve. Unit can be used in conjunction with FL-32, -33, -1 injectors. Pump is equipped with a grease follower plate and can discharge up to NLGI #2 grease.

| | |
|-------------------------------|--|
| Model | DA4101AC |
| Discharge Per Cycle | .45 cu. in. (7.4 cc) |
| Reservoir Capacity | 4-1/2 lb. (2 kg) |
| Lube Outlet | 1/4" NPTF (F) |
| Operating Pressure | Max. 3500 psig (241 bar) |
| Dimensions (H x W x L) | 24" x 9-1/8" x 7-3/4" (609 x 228 x 197 mm) |
| Filling Method | Filler Pump |



Refer to the following documents for more info:

+ *Datasheet #35495: DA Lubricator*

Air-Operated (Single Stroke) Grease Pumps

General

The SureMatic Lubricator comprises a piston discharge pump actuated by air, controlled by an electric solenoid 3-way valve. Models are available to handle grease to NLGI #2. Low level switch is standard.

Application

Unit discharges lubricant on single action air powered forward stroke and actuates all positive displacement injectors connected to the single line centralized distribution network. A two directional outlet check valve vents pressure back to reservoir on spring powered return stroke.

Lubricator can be used with the following injectors:

- Series FL-32, 33 Injectors



Features

| | |
|-------------------------|--|
| Reservoirs | Four sizes are available |
| Follower Plate | Weighted (no spring necessary) |
| Low Level Switch | Follower plate actuates built-in switch contacts |

Specifications

| Model | Ratio | Pump Output | Reservoir Capacity (KG) | Air Inlet | Lube Outlet | Lubricant Oper. Press. Max. | Dimensions H x W x L (MM) |
|--------|-------|---|-------------------------|---------------|---------------|---|--|
| 18143C | 18:1 | .46 in. ³ 7.6 cm ³ | 2 LB (1 KG) | 1/4" NPTF (F) | 1/4" NPTF (F) | 2700 psi ¹ (186 BAR) ¹ | 11" x 6-3/8 x 10" (280 x 162 x 254) |
| 18140C | | | 4 LB (2 KG) | | | | 14" x 6-3/8 x 10" (356 x 162 x 254) |
| 18141C | | | 7 LB (3.2 KG) | | | | 18" x 6-3/8 x 10" (457 x 162 x 254) |
| 18142C | | | 10 LB (4.6 KG) | | | | 23" x 6-3/8 x 10" (584 x 162 x 254) |

Note¹: Max lube pressure at 150 psi air pressure (10 bar.)

Note²: See page 25 for timers.

Refer to the following documents for more info:

+ Datasheet #35484: Surematic Lubricator

Air-Operated (Reciprocating) Grease Pumps

General

Air operated reciprocating grease discharge pump assembly, complete with vent valve. Pump is used with ExactoServe grease injectors. During operation, incoming air flowing to pump air inlet builds up system pressure to discharge all injectors connected to the network. Pump cycle frequency is normally controlled by pressure switch in main supply line to indicate when operating pressure is attained. Models are available with low level switches. A grease quick fill connection is located at base of reservoir.

Technical Data

| | |
|-----------------------------------|---|
| Reservoir Capacity | 2.5 and 5 liter (5 and 10 lb.) |
| Grease Lubricant Range | NLGI grade 000-2 |
| Pressure Ratio | 30:1 |
| Output/Min at 100 psi air | 90cc (5.5 cu. in.) |
| Air Consumption at 100 psi | 0.1 m ³ /min. or 3.5 cubic feet per min. (approximately 104 piston strokes per min.) |
| Air Inlet | 1/8" NPTF (F) |
| Lube Outlet | 1/4" NPTF (F) |
| Air Supply Pressure Range | 40-100 psi (3-7 bar) |
| Reservoir Material | Translucent acrylic and steel |

Note: Lubricator requires a 3-way solenoid air valve.

How to Order

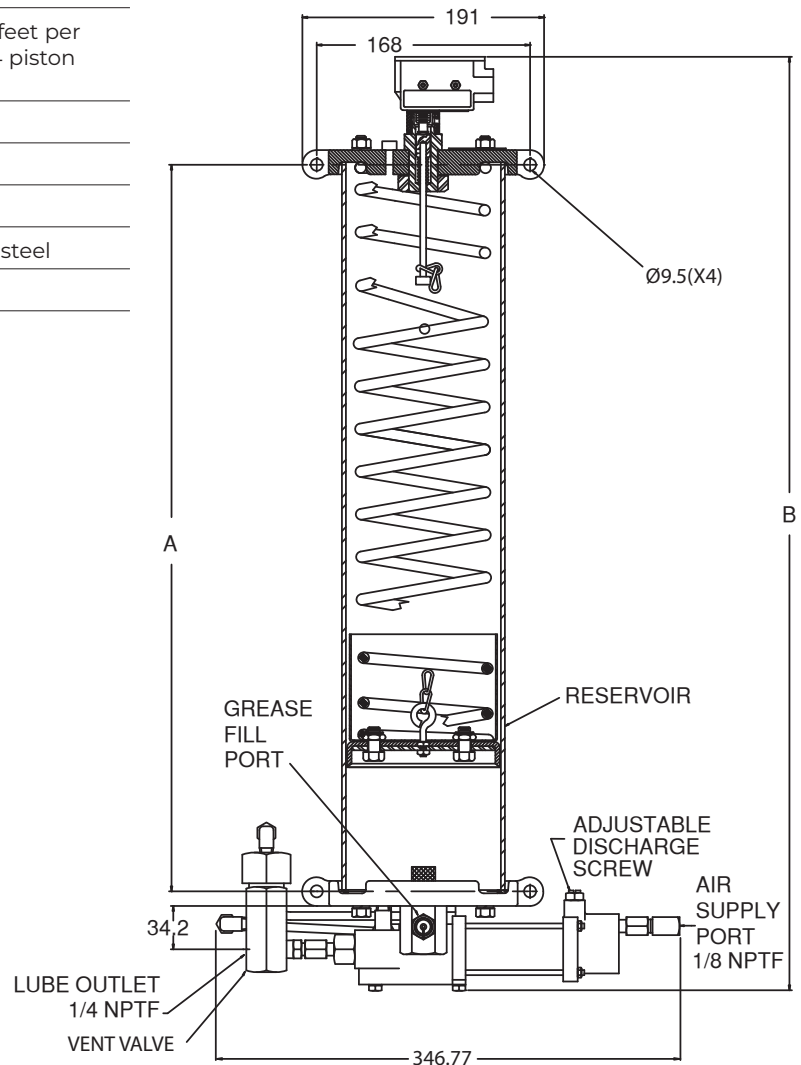
| Reservoir Size/Type | Part Number |
|--------------------------------|-------------|
| 2.5 L (5 lb.) Steel with LLS | 32005-2 |
| 2.5 L (5 lb.) Plastic with LLS | 32005-4 |
| 5 L (10 lb.) Plastic with LLS | 32005-8 |

| Dimensions | 2.5 L Steel LLS | 2.5 L Plastic LLS | 5.0 L Plastic LLS |
|------------|-----------------|-------------------|-------------------|
| A | 395 | 395 | 573 |
| B | 623 | 623 | 801 |

Refer to the following documents for more info:

+ Datasheet #35691: SKA881 Lubricator

Note: See page 25-27 for timers and controllers



Air-Operated Grease Drum Pumps

Model 9120

PM3 120lb drum pump, vent valve assembly with lube and air hoses, drum cover, and control panel. (Order Parts Separate)

| | | |
|--|---|---------------------|
| Model Type | PM3 | |
| Lubricant/Air Ratio | 55:1 | |
| Output/Min. at 100 psig air | 40 cu. in. (656 cc) | |
| Drum Size | 120 lb. drum | |
| Air Inlet | 1/4" NPTF (F) | |
| Lube Outlet | 1/4" NPTF (F) | |
| Typical System Operating Pressure | Min. 1200 psig (82 BAR) Max. 3500 psig (241 BAR) | |
| Components (Order Separate) | Pump | 9120 |
| | Controller | 85364 (See page 27) |
| | Follower plate | F964 |
| | Vent Valve | 32087 (See page 13) |

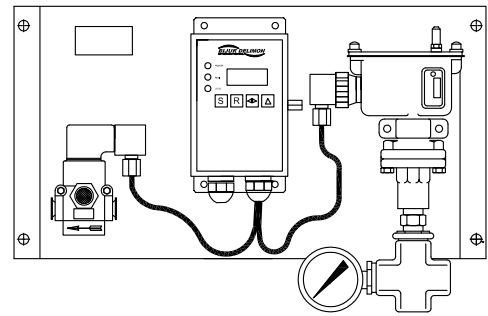


Model 9120

Model 9400

PM3 400lb pump & cover, vent valve assembly with air and lube hoses, follower plate and control panel. (Order Parts Separate)

| | | |
|--|---|---------------------|
| Model Type | PM3 | |
| Lubricant/Air Ratio | 55:1 | |
| Output/Min. at 100 psig air | 40 cu. in. (656 cc) | |
| Drum Size | 400 lb. drum | |
| Air Inlet | 1/4" NPTF (F) | |
| Lube Outlet | 1/4" NPTF (F) | |
| Typical System Operating Pressure | Min. 1200 psig (82 BAR) Max. 7700 psig (482 BAR) | |
| Components (Order Separate) | Pump | 9400 |
| | Controller | 85364 (See page 27) |
| | Follower Plate | F966 |
| | Vent Valve Assy | 32087 (See page 13) |



Model 85364

Model 9035

Consists of 55:1 std. duty PM3 pump for 35 lb. pail.
Includes drum cover, follower plate, and lube return hose.

Order 32087 vent valve separately.

Refer to the following documents for more info:

+ Datasheet #36404: DP55 Pumps

Electric Barrel Pumps

Bijur Delimon's AC or DC Electric Barrel Pumps will replace the air or hydraulic operated pumps now used for lubrication systems on mobile or stationary equipment. Installation is cleaner - no air or hydraulic lines to install/leak. Simply wire into the machines power supply. Pressure rated to 300 bar (4350 psi). Will fit original refinery 120 and 400 lb drums (50kg & 185kg). Optional drum covers and follower plates are available. (Bung Adapter F360002 is included with pumps.)

OPERATION

The pump end (bottom) consists of a hardened steel bushing, through which the piston runs. As the piston strokes down, grease is pushed past the check valve ball and out through the extruded discharge holes in the pump stem. As the piston strokes up, the check valve prevents drawback, and a vacuum is created inside the bushing. When the piston uncovers the suction holes in the bushing, another charge of grease is drawn in through the suction ports on the bottom of the stem and into the bushing. The cycle then repeats.

SPECIFICATIONS

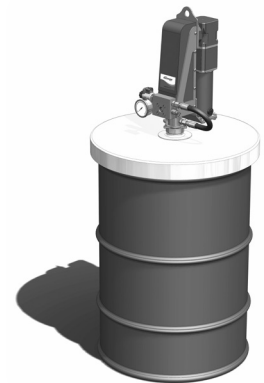
| | |
|---|---|
| Standard Tube Lengths/Fits Drum Size¹ | 120 lb. (50 kg), 400 lb. (185 kg) |
| Voltages | 24 VDC 115/230 VAC (50/60 Hz) Single Phase |
| Amp Draw | 24VDC² 15 Amp draw @ 3500psi 20°C (68°F) with NLGI #2 |
| | 115VAC³ 4 Amp draw @ 3500psi 20°C (68°F) with NLGI #2 |
| | 220VAC⁴ 2 Amp draw @ 3500psi 20°C (68°F) with NLGI #2 |
| Lubrication Flow⁵ | 150cc/minute @ 140 bar, +20°C (9 cu.in. @ 2030 psi, +68°F) |
| Pump Pressure | 300 bar max/240 bar recommended (4350psi / 3480 psi) |
| System Injector | Vent Valve & Pressure Relief Valve Included |
| Relief Valve Pressure | 240 bar / 3500 psi |
| Vent Valve Voltages | 24 VDC 115/230 VAC (50/60 Hz) Single Phase |
| Operating Temperature⁶ | -25°C to +60°C (-13°F to +140°F) |
| Pressure Gauge | 350 bar Included (5000 psi) |
| Lube Outlet Port | 1/2" NPSF (F) |
| Lubricants⁷ | NLGI #000 to #2 |
| Rating | IP66 |
| Noise Level⁸ | 75dB |

1: Bung Bushing F360002 is included with pumps.
2: 6 Amp draw spike. Recommend 40A fuse max.
3: 5 Amp draw spike. Recommend 7A fuse max.
4: 2.5 Amp draw spike. Recommend 4A fuse max.
5: Flow rate is for 60 Hz motors. 60 Hz motor can operate on 50 Hz but pump flow is reduced.

6: Lower temperatures may be possible with suitable grease and/or heated reservoir/piping.
7: EBP will also work pumping oils.
8: Noise level measured at 3' (1 m) from the pump.



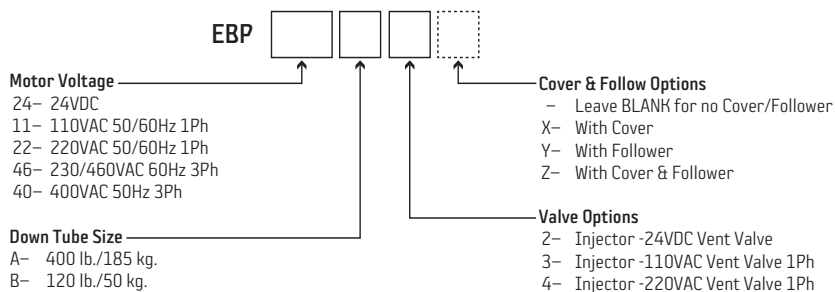
120 lb. Electric Barrel Pump



400 lb. Electric Barrel Pump

Note: Lube containers supplied by others.

HOW TO ORDER



Drum Heater Insulated Blankets 120 VAC

- Model 37506 Fits 120lb Drum (15 gal/57 liter)
- Model 55286 Fits 400lb Drum (55 gal/208 liter)



Refer to the following documents for more info:
+ Datasheet # 35745: Drum Heater Blankets

Refer to the following documents for more info:
+ Datasheet #36922: Electric Barrel Pumps

Air-Operated (Single Stroke) Oil Pumps

General

The SureMatic Lubricator comprises a piston discharge pump actuated by air, controlled by an electric solenoid valve. Models can handle oil to 8,000SSU.

Application

Unit discharges lubricant on single action air powered forward stroke and actuates all positive displacement injectors connected to the single line centralized distribution network. A two directional outlet check valve vents pressure back to reservoir on spring powered return stroke.

Lubricator can be used with the following injectors:

- Series FL-42, 43

Features

- Reservoirs are available in four sizes.
- Low level switch is standard on all models.
- Air solenoid (3 way) and on-off timer combos are available.



Specifications

| Model | Ratio | Pump Output | Reservoir Capacity (Liters) | Air Inlet | Lube Outlet | Lubricant Oper. Press. Max. | Dimensions H x W x L (MM) |
|--------|-------|---|-----------------------------|------------------|------------------|---|--|
| 18144C | 18:1 | .46 in. ³ 7.6 cm ³ | 2 pints (1 LT) | 1/4" NPTF (F) | 1/4" NPTF (F) | 2700 psi ¹ (186 BAR) ¹ | 11" x 6-3/8 x 10" (280 x 162 x 254) |
| 18145C | | | 4 pint (2 LT) | | | | 14" x 6-3/8 x 10" (356 x 162 x 254) |
| 18146C | | | 7 pints (3.2 LT) | | | | 18" x 6-3/8 x 10" (457 x 162 x 254) |
| 18147C | | | 10 pints (4.6 LT) | | | | 23" x 6-3/8 x 10" (584 x 162 x 254) |

Note¹: Max lube pressure at 150 psi air pressure (10 bar.)

Note²: See page 25 for timers.

Refer to the following documents for more info:

+ Datasheet #35484: Surematic Lubricator

Air-Operated (Reciprocating) Oil Pumps

General

Air operated reciprocating oil discharge pump assembly, complete with vent valve. Pump is used with ExactoServe injectors. During operation, incoming air flowing to pump air inlet builds up system pressure to discharge all injectors connected to the network. Pump cycle frequency is normally controlled by pressure switch in main supply line to indicate when operating pressure is attained. Models are available with or without low level switches.

Technical Data

| | |
|-----------------------------------|---|
| Reservoir Capacity | 2.25 - 5.5 liter (2-6 qt.) |
| Oil Lubricant Range | ISO-8000 SSU (32-1700 cSt) |
| Pressure Ratio | 30:1 |
| Output/Min at 100 psi air | 90cc (5.5 cu. in.) |
| Air Consumption at 100 psi | 0.1 m ³ /min. or 3.5 cubic feet per min. (approximately 104 piston strokes per min.) |
| Air Inlet | 1/8" NPTF (F) |
| Lube Outlet | 1/4" NPTF (F) |
| Air Supply Pressure Range | 40-100 psi (3-7 bar) |
| Reservoir Material | Translucent acrylic |

Note: Lubricator requires a 3-way solenoid air valve.

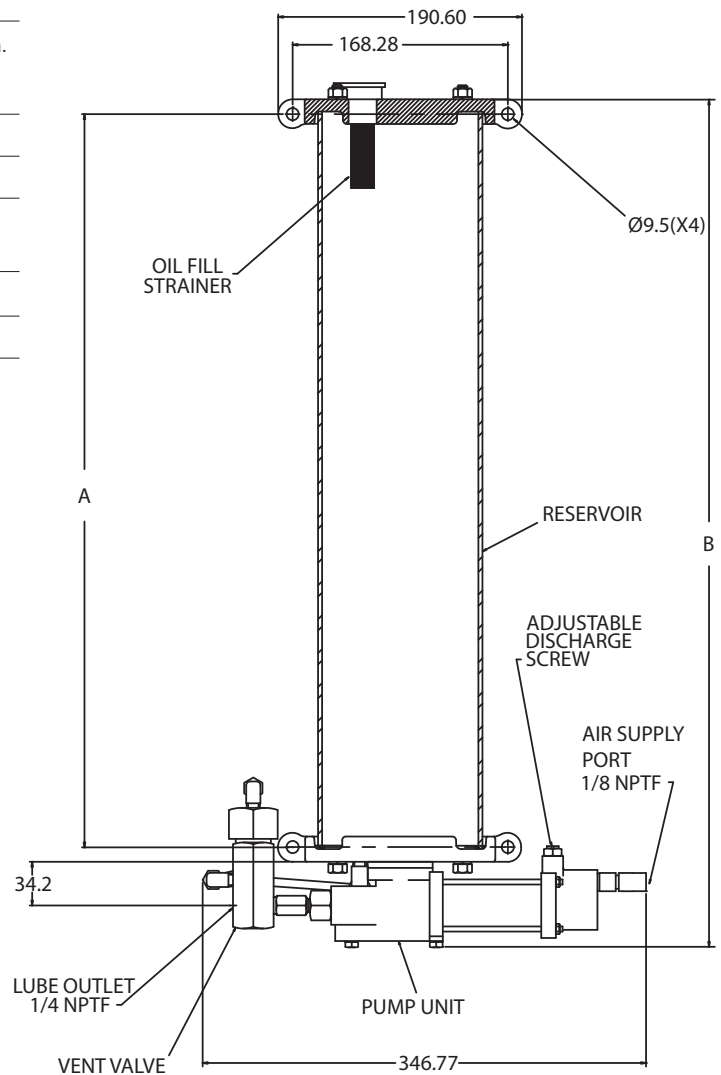
How to Order

| Reservoir Size/Type | Part Number |
|---------------------|-------------|
| 2.25 L (2.5 qt.) | 32069-15 |
| 5.5 L (6 qt.) | 32069-7 |

Refer to the following documents for more info:

+ Datasheet #35691: SKA881 Lubricator

Note: See page 25-27 for timers and controllers.



| Dimensions | 2.25 L | 5.5 L |
|------------|--------|-------|
| A | 232 | 573 |
| B | 396 | 737 |

Electric Oil Pumps

General

The GPO Lubricator is a motor-driven gear pump that is designed for use with single line centralized lubricating systems utilizing progressive distributors or injectors. Standard features include: liquid level indicator, pressure gauge and strainer filler cap. An adjustable pressure regulating oil bypass valve is standard on Progressive systems and a dump valve is standard on Positive Displacement Injector (PDI) systems. Programmable controllers are available to operate the lubricator.

Technical Data

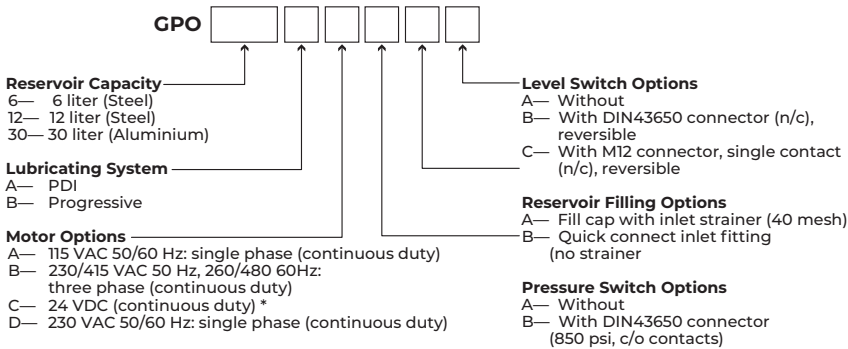
| | |
|-----------------------------|-----------------------------------|
| Maximum Discharge Pressure | 1000 psi (69 bar) |
| Operating Temperature Range | 40°F to 105°F (5°C to 40°C) |
| Reservoir Capacities | 6 liter, 12 liter, 30 liter |
| Discharge | 275cc/min (Single Phase) |
| | 500cc/min (Three Phase) |
| Output Connection | 1/4" NPT (left and right options) |
| Oil Viscosity | 20-1500 cSt |



Refer to the following documents for more info:

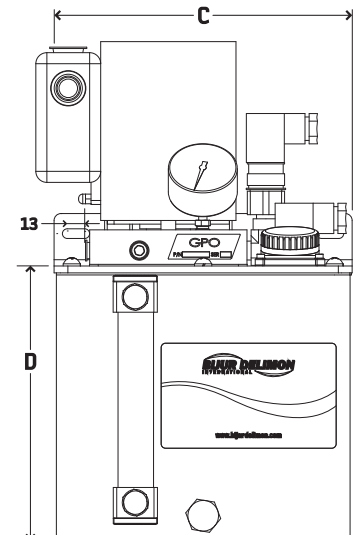
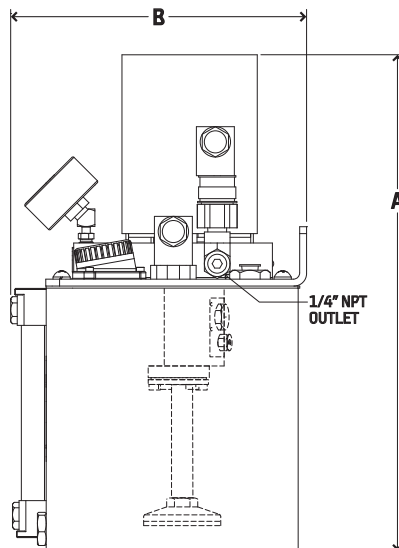
+ Datasheet #35641: GPO Lubricator

How to Order



Dimensions

| DIM | 6 liter | 12 liter | 30 liter |
|-----|---------|----------|----------|
| A | 360mm | 318mm | 468mm |
| B | 215mm | 260mm | 340mm |
| C | 229mm | 370mm | 490mm |
| D | 200mm | 156mm | 291mm |



Electric Grease Pumps

General

The MultiPort Lubricator is an electrically driven multiple outlet lubrication unit design primarily for use with injector systems. The unit includes two pumping elements for a distribution network of injectors. These Multiport lubricators are available in 115 VAC or Multiport II in 24 VDC versions. This makes them ideal for use in industrial applications. Use of a remote timer/controller (SMAC/SMDC) or customer PLC is required for the non-controller versions of the lubricators.

Technical Data

| | | |
|-----------------------------|------------------------------|---------------------|
| Maximum Working Pressure | 3000 psi (207 bar) | |
| Operating Temperature Range | 5°F to 122°F (-15°C to 50°C) | |
| Reservoir Capacities | 3 liter, 4 liter, 8 liter | |
| Output/Min | 115VAC | 10cc (0.61 cu. in.) |
| | 24VDC | 6cc (0.37 cu. in.) |
| Output Connection | 1/4" NPTF | |
| Grease | NLGI grade 000-2 | |
| Motor Enclosure | MP IP-55 / MP II IP69K | |
| Motor Amperage | 115 VAC | 1.83 FLA |
| | 24 VDC | 2 FLA |



Refer to the following documents for more info:

+ Datasheet #35954: Multiport INJ Lubricator

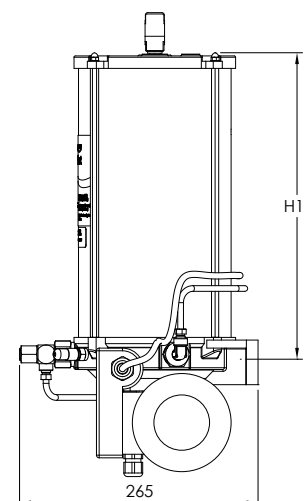
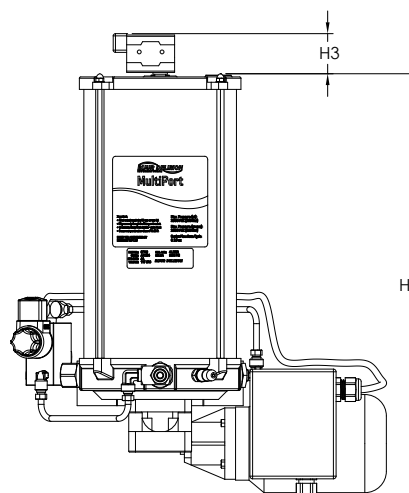
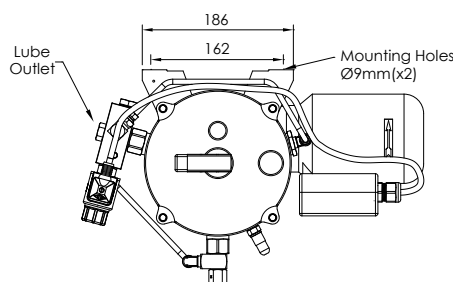
+ Datasheet #36750: Multiport II INJ Lubricator

How to Order

| Part Number | Reservoir | Voltage | Controller | Series |
|-------------|-----------------|---------|------------|--------------|
| 37742 | 4 liter (8 lb) | 115 VAC | no | Multiport |
| 37847 | 8 liter (16 lb) | 115 VAC | no | Multiport |
| 55656-X3LHU | 3 liter (6 lb) | 24 VDC | no | Multiport II |
| 55656-C3LHU | 3 liter (6 lb) | 24 VDC | yes | Multiport II |
| 55656-X3LHU | 3 liter (6 lb) | 24 VDC | no | Multiport II |
| 55656-C3LHU | 3 liter (6 lb) | 24 VDC | yes | Multiport II |

Dimensions

| | Reservoir Size | H1 | H2 | H3 |
|---------|----------------|-----|-----|----|
| 115 VAC | 4 L | 343 | 475 | 45 |
| | 8 L | 545 | 674 | 45 |
| 24 VDC | 3 L | 250 | 419 | 37 |



System Controllers

Timers for Pneumatic Operated Pumps

29927 & 71740

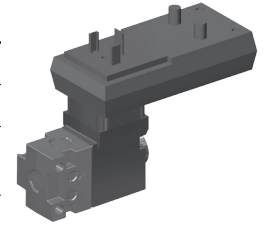
These compact timers mount directly to a solenoid valve having DIN 43650 Form A electrical terminations.

Time range settings are adjusted by dials or keypad.

Red light emitting diodes indicate power 'ON' and output energized (solenoid 'ON').

Technical Data

| | |
|---------------------|--|
| Supply Voltage | 24-240V AC/DC |
| Power Consumption | 4 mA max |
| Switching Load | I _{max} = 0.5 A at supply voltage 110/230V, 50/60 Hz |
| Classification | IP 65, air gasps and leakage paths according to VDE 0100 |
| Body Material | Polyamide plastic |
| Working Temp. Range | 14°-122°F (-10°-50°C) |
| Indicator | LED |
| Adjustment | 29927 dial knobs - solidstate 71740 keypads - digital |
| Time Range ON TIME | 29927: 2 secs to 40 secs 71740: 0.5 secs to 99 secs |
| Time Range OFF TIME | 29927: 0.5 min to 45 min 71740: 0.5 min to 99 min |



Timer mounted on 20311-3 Solenoid Valve (order separately, page 28)

SMAC

The SMAC Controller is a multipurpose programmable controller used with industrial lubrication systems. Controller settings are saved whenever power is interrupted. Up to four operating modes can be selected which allows the controller to be used with various lubrication system designs. The controller is available in both 110/115 VAC and 220/230 VAC service.

Features

- Digital status display on front cover for easy programming
- System monitoring capabilities
- Data memory function initiated at power down
- Time or machine count input based operation
- Compact design

Technical Data

| | |
|---------------------|---------------------------------|
| Operating Voltage | 110/220VAC |
| IP Enclosure Rating | Liquid tight connector IP-55 |
| Audible Alarm | Controller beeps on any fault |
| Ambient Temperature | -4 °F to 131 °F (-20C to 55 °C) |

How to Order

| | Description | Part Number |
|-----------------|-------------------|-------------|
| SMAC Controller | Controller 110VAC | 22361-E2 |
| | Controller 220VAC | 22361-E1 |



Controller Status LEDs

| | |
|---------------|------------------------------|
| Red Steady | Lubrication cycle |
| Yellow Steady | Alarm |
| Green Steady | Power supply on |
| None Lit | No input power to controller |

Refer to the following documents for more info:

+ Datasheet #46912: SMAC

System Controllers

SC400

The SC400 Controller is a full featured lubrication control, offering “two plus one” functionality. The controller has the ability to operate a single pump and two zone valves (e.g. frequent/infrequent lubrication cycles) or two separate pumps (e.g. one oil pump & one grease pump). For single zone systems, the SC400 Controller also offers two intervals (e.g. weekday /weekend). The controller can activate a fill pump as needed to maintain proper fluid levels in the oil or grease reservoir.

Features

- 2 zone operation (for Progressive, Injector and Dualine Hydraulic systems)
- IP56 enclosure, constructed of molded polyester fiberglass
- CE approved
- Four supported languages (English, French, Spanish, German)

Technical Data

| | |
|--------------------------------|--|
| Input Voltage | 85 to 265 VAC, 50/60 Hz |
| Idle Time Range | 1 second to 100 days |
| Machine Cycle Counts | 1 to 999,999 Counts (30 counts/second at 50% duty cycle) |
| Monitor Time | 1 second to 24 hours |
| Cycle Counts On | 1 to 999 counts |
| Over Counts | 0 to 9 |
| Net Weight | 5 lb |
| Length x Width x Height | 12.3" x 9.2" x 5" |



Refer to the following documents for more info:

+ Datasheet #35980: SC400 Controller

SMDC

The SMDC Controller is a multi-purpose programmable controller used with 12-24 VDC lubrication systems. Controller settings are saved whenever power is interrupted. Up to four operating modes can be selected which allows the controller to be used with various lubrication system designs. A voltage selector switch is located inside the enclosure for both 12 and 24 VDC service.

Features

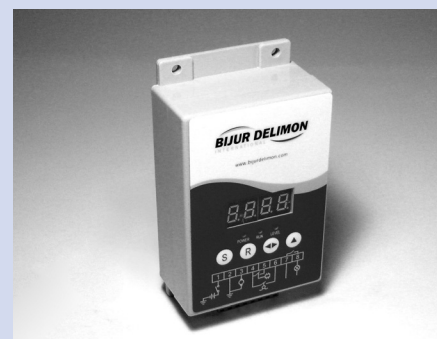
- Digital status display on front cover for easy programming
- System monitoring capabilities (pressure switch and low level switch)

Technical Data

| | | |
|----------------------------|---------------------------------|-------|
| Operating Voltage | 12VDC, 24VDC (factory setting) | |
| IP Enclosure Rating | External terminal strip | IP-47 |
| | Liquid tight connector | IP-67 |
| Ambient Temperature | -4 °F to 104 °F (-20C to 40 °C) | |

How to Order

| | Description | Part Number |
|-----------------|---|-------------|
| SMDC Controller | Controller with external terminal strip | 33346ME |
| | Controller with liquid tight connector | 33346E |



Refer to the following documents for more info:

+ Datasheet #46911: SMDC Controller

Controller Status LEDs

| | |
|----------------------|------------------------|
| Red Steady | Lubrication cycle |
| Yellow Steady | Alarm |
| Green Steady | Power supply on |
| None Lit | No input to controller |

System Controllers & Pressure Switches

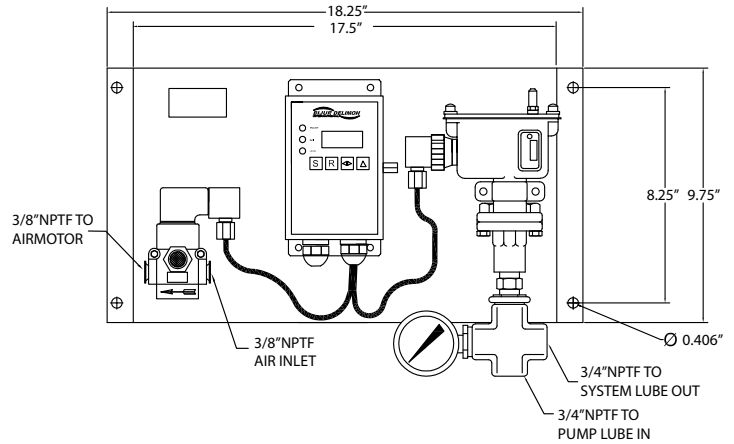
General

The 85364 control panel is used with air operated lubrication systems (normally drum pumps). Unit comprises a panel mounted SMAC controller, pressure switch, pressure gauge and solenoid controlled air valve.

Specifications

| | |
|------------------------------------|-------------------|
| Electrical Solenoid Valve (3/2 NC) | 110/120V 50/60 Hz |
| Operating Pressure | 150 psi |
| Holding Amps | .09 |
| In-rush Amps | .12 |
| Controller (See SMAC page 25) | |
| Electrical Characteristics | 115V 50/60 Hz |

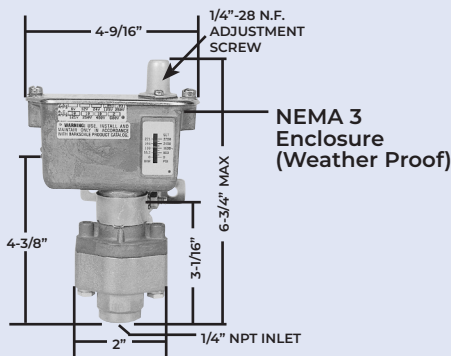
Model 85364



Refer to the following documents for more info:

+ Datasheet #32242: Control Panel

U620D1 Pressure Switch Single Pole Double Throw (Oil or Grease) (NEMA 3 enclosure)

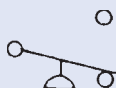


| Part No. | Proof Pressure | Adjustable Range | | | | Actuation Valve Differential Approx. |
|----------|----------------|------------------|------|------------|------|--------------------------------------|
| | | Decreasing | | Increasing | | |
| | | Min. | Max. | Min. | Max. | |
| U620D1 | 7000 | 250 | 2775 | 280 | 3000 | 30-225 |

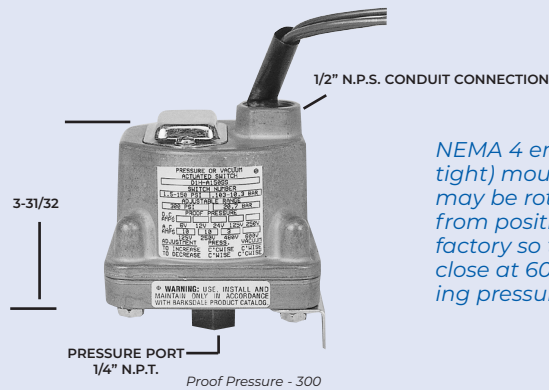
ALL VALUES P.S.I.G.

Electrical rating (continuous inductive):
10 amps. 125, 250 or 460 V. AC., 15 amps. 6 V. DC.

Contact symbol:



U623 Pressure Switch Single Pole Double Throw (Pneumatic)



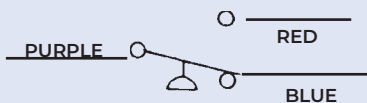
NEMA 4 enclosure (water tight) mounting bracket may be rotated 90° or 180° from position shown. Set at factory so that NC contacts close at 60 psi on decreasing pressure.

| Adjustable Range | | | | Actuation Valve Differential Approx. |
|------------------|-------|------------|------|--------------------------------------|
| Decreasing | | Increasing | | |
| Min. | Max. | Min. | Max. | |
| 1.5 | 144.8 | 1.5 | 150 | 2.2 - 5.2 |

ALL VALUES P.S.I.G.

Electrical Rating (continuous inductive):
10 amps. 125 or 250 V. AC., 3 amps. 460 V. AC., 5 amps. 28 V. DC.

Contact Symbol:



Wire Coding: Red = N.O., Blue = N.C., Purple = Common

Solenoid Valves

Solenoid Valve Specifications, Part No. 20311-3

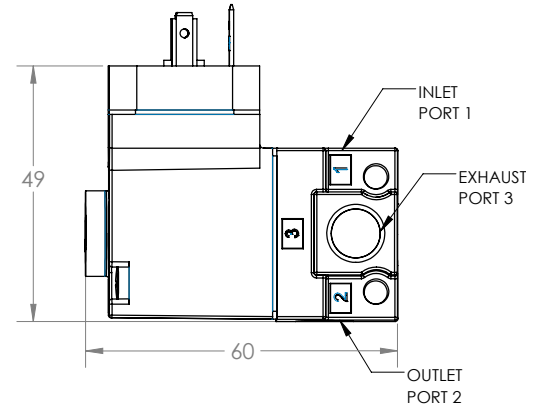
Operating Data

| | |
|---------------------------|----------------------------|
| Fluids | Air or inert gas |
| Lubrication | Not required |
| Ambient Temperature Range | 0° to 140°F (-18° to 60°C) |
| Flow Rating, Cv (average) | 0.18 |
| Orifice | 2.0 mm. |
| Pressure Range | 150 psi max. |
| Inlet Connection Port | 1/8" NPTF |
| Exhaust Port | 1/8" NPTF |
| Outlet Connection Port | 1/8" NPTF |

Note: Valve body may be rotated 180° to reverse outlet port orientation.

Electrical

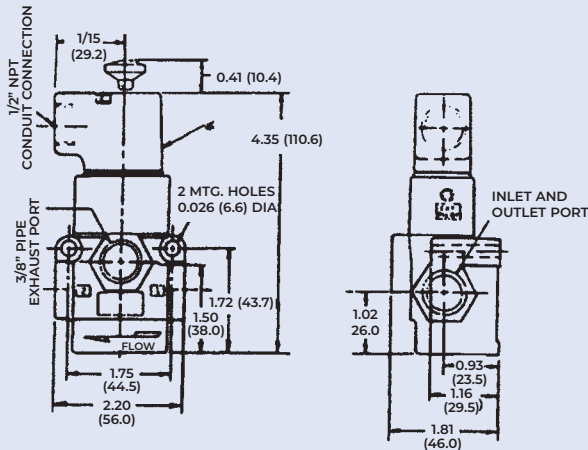
| | | |
|----------------|--|------------------------------|
| Voltage (V/Hz) | 120/60; 110/50, 710% | |
| Coil | Continuous duty, encapsulated Class F | |
| Current | In-rush | 14.8 Volt - amps (0.12 amps) |
| | Holding | 10.9 Volt - amps (0.09 amps) |
| Connection | Connector pin assignment according to DIN 43650 Form A | |
| Operation Mode | 3 way, 2 position, normally closed | |



Timer can be mounted on 20311-3 Solenoid Valve (order separately, page 25)



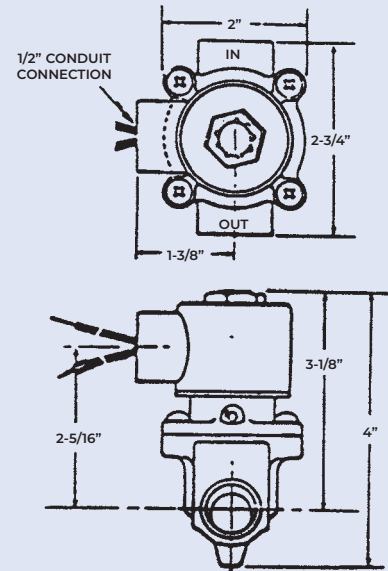
U10626 3-WAY, NC, Solenoid Valve (Pneumatic) (NEMA 4 Enclosure)



| Part No. | Voltage | Hertz | CV Factor. | Action | Port Size (NPTF) |
|----------|-------------|-------|------------|--------|------------------|
| U10626A1 | 110/120 VAC | 50/60 | 1.4 | NC | 1/4 |
| U10626C1 | 110/120 VAC | 50/60 | 1.6 | NC | 3/8 |
| U10626A5 | 24 VDC | - | 1.4 | NC | 1/4 |

| | |
|--------------------------------------|-----|
| Holding Current (amps) | .09 |
| In-Rush (amps) | .12 |
| Maximum Operating Pressure - 150 psi | |

201594 2-WAY, NC, Solenoid Valve (Pneumatic) (NEMA 4X)



| Part No. | Port Size (NPTF) | Orifice Size | CV Factor | Operating Pressure | Normal Valve Position |
|----------|------------------|--------------|-----------|--------------------|-----------------------|
| 201594 | 1/2" | 1/2" | 2.81 | 5-150 psi | Closed |

| Volts (AC) | In-Rush (amps) | Holding (amps) |
|------------|------------------------------|------------------------------|
| 120 | .14 at 50 Hz .12 at 60 Hz | .09 at 50 Hz .07 at 60 Hz |

Injector and Bearing Point Monitors

General

The 55105 Lube Point Monitor is an accurate oval gear mechanism that incorporates two magnets into one of the nylon oval gears. The body incorporates a reed switch which senses the magnet passing. Lubricant entering the 55105 causes the gears to rotate. Each pulse equates to an approximate displacement of 0.040 cu.in.(.65cc). The monitoring of the 55105 is done with any PLC. The feedback from the 55105 will assure that lubrication has reached the inlet of the critical lubrication points.

Application

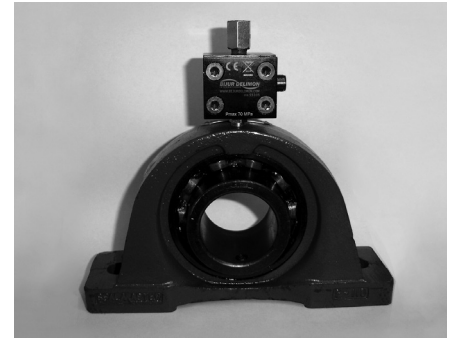
The 55105 Lube Point Monitor is intended to be mounted at or near the lubrication point inlet. It can be used with any type of grease or oil system (Dualine/Progressive/PDI). Due to the nature of the internals, proper filtration is required to keep contaminants out of the monitor body.

Technical Data

| | |
|---------------------|---|
| Flow | 0-2500cc/min. |
| Maximum Pressure | 10153 psi (700 bar) |
| Temperature | -4 °F to 158 °F (-20 C to 70 °C) |
| Connections | 1/8"NPT or 1/8"BSP |
| Material | Aluminum or Stainless Steel |
| Lubricant | ISO VG 32 to NLGI grade 2 |
| IP Enclosure Rating | IP-67 |
| Output Connection | 4-pole M12X1 (male) |
| Switch Rating | 0-24 VDC Max Voltage / 0.20 amp Max Current |

How to Order

| Name | Description | Part # |
|--------------------|-------------------------|----------|
| Lube Point Monitor | Aluminum 1/8"NPT | 55105 |
| | Aluminum 1/8"BSP | 55105-B |
| | Stainless Steel 1/8"NPT | 55105-SS |



Refer to the following documents for more info:

+ Datasheet #35978: Lube Point Monitor

Injector and Bearing Point Monitors

General

The FL Indicator Pin Monitor utilizes high quality sensors with built in LED's. The sensor will read movement of the FL PDI indicator during each lubrication cycle. This ensures that lubricant has reached the FL PDI. It will allow the user to monitor FL PDI/pin operation remotely from any PLC.

Application

The FL PDI Indicator Pin Monitor is available for any FL Series Injectors (FL30/40/1/11).

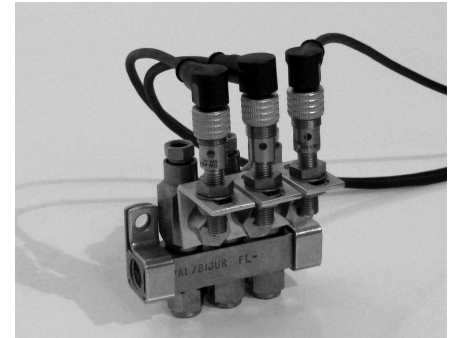
Technical Data - Sensor

| | |
|----------------|-----------------------------------|
| Supply Voltage | 10-30 VDC |
| Temperature | -13 °F to 158 °F (-25 C to 70 °C) |
| IP Rating | IP-67 |
| Material | Stainless Steel V2A (housing) |
| Connection | S12 connector |

How to Order

| Name | Description | Part # |
|----------------------------------|-------------------|------------|
| FL Indicator Pin Monitor Kit | For FL30/40 | 37297 |
| | For FL1 (FL44) | 37298 |
| | For FL-11 (FL-45) | 37299 |
| Cable (Straight, 10 meters long) | | 76928-2863 |
| Cable (90°, 10 meters long) | | 76928-2833 |

Note: Cables supplied seperately - can also be used with 55105



Refer to the following documents for more info:

+ Datasheet #35966: FL Indicator Pin Monitor

Pump Accessories



Manual Filling Pumps

- Model 37303 Manual Grease Fill Pump Kit: 120lb Drum
- Model 37304 Manual Grease Fill Pump Kit: 35lb Pail

Used to fill grease reservoirs & grease guns quickly and efficiently. Product mounts directly to original 120 lb. drum and 35 lb. pail. Included items: Cover, Follower Plate, Loader Coupler. Also includes a 6 foot hose (with fittings required to attach to pump and two fill couplers supplied for grease reservoirs), one female quick coupler for hydraulic stud (used on TTN reservoirs), one for standard fill stud (used on Multiport/CS2000 and TP type reservoirs). Develops: 500 psi Delivery: 1lb/6 strokes

Air Regulators and Gauges - Mounting Brackets



Model F976

1/2" Regulator with 0-250 psi range and 2", 0-160 pressure gauge.

Model F973

Same as F976 except 3/8"

Filters

Model F978

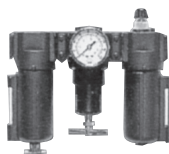
1/2" Filter

Model F975

3/8" Filter



Filter, Regulator, Lubricator Combo



Model F985

1/2" Filter, Regulator (0-250 psi) gauge (2", 0-160 psi), lubricator.

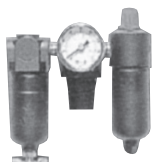
Model F984

Same as F985 except 3/8"

Model F989

Mount kit for Combo units.

Mini Filter, Regulator, Lubricator Combo



Model F995

1/4" FRL combo

Model F991

1/4" Mini Regulator and Gauge

Model F993

1/4" Mini Filter

Model F996

Mini Wall Mount Bracket

Pump Hoist Part Number F391022

For HD Series Pumps. Air-operated hoist lifts and lowers pumps for fast and easy drum changes. Hoist arm adjusts for different pump heights and swings a full 360°. Push/pull air valve controls hoist. Base bolts to floor. Can be used with other pumps by using a strap.

Unit height is 64" (lowered) and 104" (raised).

Air inlet is 1/4" NPTF (m).

Maximum air pressure is 150 psi.

Low level switch kit for 120/400 lb drums



Model LC10243 - for 120 lb drum

Model LC11036 - for 400 lb drum

Notes:

(1) Requires cover and follower plate - order separately.

(2) Customer/user to provide 15/16" hole in cover.

(3) Can be used with any style pump.

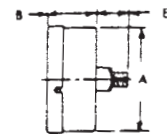
Pressure Gauge



Fig. 1



Fig. 2



| Part No. | Fig. No. | Pipe Size (NPTF) | Press Range (psi & Kpa) | Dimensions | | | | |
|----------|----------|------------------|-------------------------|------------|--------|---------|-------|-------|
| | | | | A | B | C | D | E |
| U902D | 1 | 1/4 | 3000 | 2-5/8 | 1-1/4 | 2-1/4 | 13/32 | |
| U902F | 1 | 1/4 | 5000 | 2-5/8 | 1-1/4 | 2-1/4 | 13/32 | |
| U902H | 1 | 1/4 | 160 | 2-5/8 | 1-1/8 | 2-1/4 | 11/32 | |
| U902J | 1 | 1/4 | 2000 | 2-1/8 | 1-1/16 | 1-13/16 | 5/16 | |
| U902DB | 2 | 1/4 | 3000 | 2-5/8 | 1-1/4 | | | 15/16 |

Tubing & Fittings

Tubing

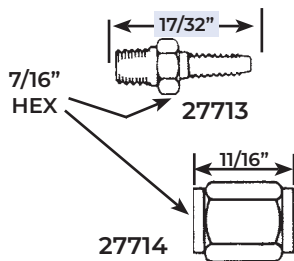
| Part No. | Type | Size (in.) O.D. x Wall | Length (ft.) |
|-----------|--------|---------------------------|--------------|
| 4C30 | Copper | 1/8 x .030 | 50' |
| 27721 | Steel | 1/4 x .028 | 25' |
| U424E6 | | 3/8 x .049 | 16-24' |
| 27722 | Nylon | 1/8 x .022 | 25' |
| 27389 | | 1/8 x .022 | 100' |
| 70420-325 | | 1/4 x .062 | 325' |
| 70420-25 | | 1/4 x .062 | 25' |

Bulk feed line hose and fittings

Designed to easily fabricate any length flexible feed line. Hose end connections are assembled with standard tools.

Model 27729

25 ft. coil; 3/16" I.D. x 3/8" O.D. working pressure = 500 psig.
Burst pressure = 2000 psig.
Minimum bend radius = 2-1/2".
(Bulk Hose 27730 is available. Order any length in feet.)

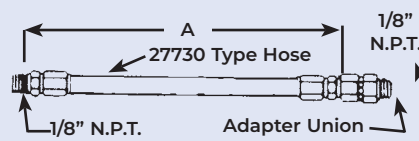


Hose End Fittings

| Part No. | Type | Description | Size (in.) |
|----------|-----------------|--------------|----------------------------|
| 27713 | Steel | Hose Stud | 1/8 NPT male x 1/4-28 male |
| 27714 | | Coupling Nut | 1/4-28 female |
| 27715 | Stainless Steel | Hose Stud | 1/8 NPT male x 1/4-28 male |
| 27716 | | Coupling Nut | 1/4-28 female |

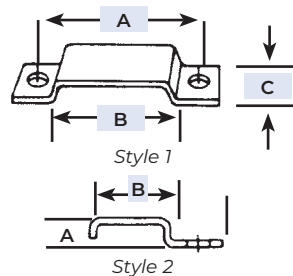
Feed line hose

Series 27735-27739



| Part No. | "A" (in.) | Description |
|----------|-----------|--|
| 27735 | 12 | 1/8" NPT male at one end and swivel adapter union 1/8" NPT male at other end |
| 27736 | 18 | |
| 27737 | 24 | |
| 27738 | 30 | |
| 27739 | 36 | |

Tube Clamps

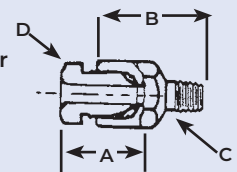


| Clamp No. | Const. | No. Tubes | Tube Size (in.) | A (in.) | B (in.) | C (in.) | Style |
|-----------|-----------------|-----------|-----------------|---------|---------|---------|-------|
| 27820-1 | Steel | 1 | 1/8 O.D. | - | 1/8 | 3/8 | 1 |
| 27820-2 | | 2 | | 11/16 | 1/4 | 3/8 | |
| 27820-3 | | 3 | | 13/16 | 3/8 | 3/8 | |
| 27820-4 | | 4 | | 15/16 | 1/2 | 3/8 | |
| 27820-5 | | 5 | | 1-1/16 | 5/8 | 3/8 | |
| U301B1 | | 1 | 1/4 O.D. | 5/16 | 3/8 | 3/4 | 2 |
| U301B2 | | 2 | | 5/16 | 5/8 | 3/4 | |
| U301B3 | | 3 | | 5/16 | 7/8 | 3/4 | |
| U1301B4 | | 4 | | 5/16 | 1-1/8 | 1/2 | |
| U1301B6 | | 6 | | 5/16 | 1-5/8 | 1/2 | 1 |
| 27821-2 | Stainless Steel | 2 | 1/8 O.D. | 11/16 | 1/4 | 3/8 | 1 |
| 27821-5 | | 5 | | 1-1/16 | 5/8 | 3/8 | |

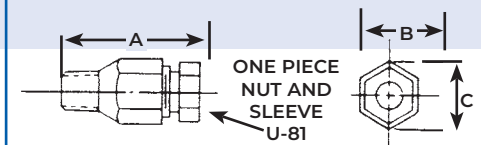
Tube Fittings

Straight Connector, Tube to Male Pipe

Male Connector (Threaded Sleeve) Tube to Male P.T.



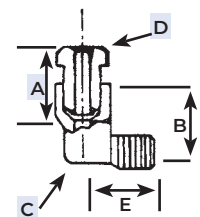
| Part No. | Tube O.D. (in.) | Pipe Thread (in.) | A (in.) | B (in.) | Hex. C (in.) | Hex. D (in.) |
|----------|-----------------|-------------------|---------|---------|--------------|--------------|
| 27727 | 1/8 | 1/4-28 | 1/2 | 5/8 | 3/8 | 5/16 |
| 27726 | 1/8 | 1/8 NPT | 1/2 | 5/8 | 7/16 | 5/16 |



| Tube Size | Part No. | Male Pipe Thread (NPTF) | Dimensions | | |
|-----------|----------|-------------------------|------------|-----|------|
| | | | A | B | C |
| 1/4 | U83B1 | 1/8 | 1-1/8 | 1/2 | .577 |
| 1/4 | U83B2 | 1/4 | 1-1/8 | 5/8 | .721 |
| 1/4 | U82B3 | 3/8 | 1-1/8 | 3/4 | .865 |
| 3/8 | 7962FBUS | 1/8 | 1-3/4 | 3/4 | .865 |
| 3/8 | U83D2 | 1/4 | 1-3/4 | 3/4 | .865 |
| 3/8 | U83D3 | 3/8 | 1-9/16 | 3/4 | .865 |

90° Elbow, Tube to Male Pipe

Male Elbow (Threaded Sleeve) Tube to Male P.T.



| Part No. | Tube O.D. (in.) | Pipe Thread (in.) | A (in.) | B (in.) | Hex. C (in.) | Hex. D (in.) | E (in.) |
|----------|-----------------|-------------------|---------|---------|--------------|--------------|---------|
| 27728 | 1/8 | 1/4-28 | 1/2 | 1/2 | 13/32 | 5/16 | 33/64 |
| 27725 | 1/8 | 1/8 NPT | 1/2 | 1/2 | 7/16 | 5/16 | 21/32 |

90° Elbow & Tube to Male Pipe

| Tube Size | Part No. | Male Pipe Thread (NPTF) |
|-----------|--------------------|-------------------------|
| 1/4 | U83B1 + U1104AS | 1/8 |
| 1/4 | U83B2 + U1104B | 1/4 |
| 1/4 | U83B3 + U1104C | 3/8 |
| 3/8 | 7962FBUS + U1104AS | 1/8 |
| 3/8 | U83D2 + U1104B | 1/4 |
| 3/8 | U83D3 + U1104C | 3/8 |

Innovators of engineered lubrication technology since 1923

Bijur Delimon International has ISO 9001:2015 and ISO 14001:2015 quality certified manufacturing facilities around the world, so your centralized lubrication system meets the highest industry quality standards. It's all part of our commitment to quality and customer service.



BIJUR DELIMON NORTH AMERICA
1 Copley Parkway, Suite 104
Morrisville, NC 27560

(252) 527-6001 **LOCAL**
(800) 227-1063 **TOLL-FREE**
(252) 527-3533 **FAX**

WWW.BIJURDELIMON.COM

414 • R26 03/22