

LS Line Strainer

For Oil and Grease lines



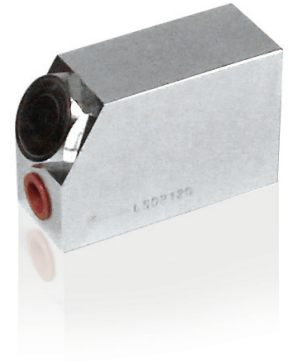
Description

LS line strainers remove foreign particles from grease and oil lines in lubricating systems but can also be used in other systems as well. Cannot handle corrosive liquids. Withstands up to 5000 psi working pressure, non-shock.

Flow rate and ratio of open screen area to pipe diameter as follows:

Size (NPT)	Flow Rate (GPM)*	Ratio of Open Screen Area/Pipe DIA	
		Perforated Metal Screen Type (500 Micron)	Wire Mesh Screen Type (75 & 150 Micron)
1/4	2	6:1	7:1
3/8	5	3.5:1	4:1

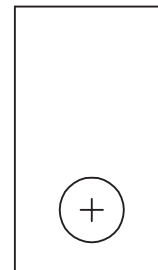
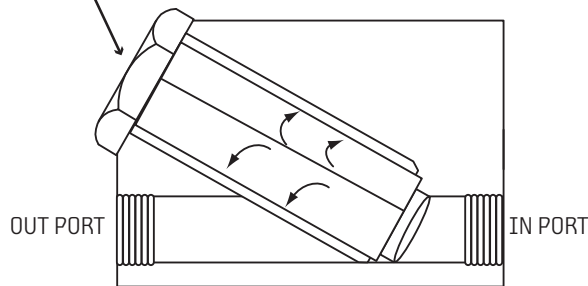
*Based on 225 SSU oil at 100° F and 20 ft./sec. velocity.



LS Strainer

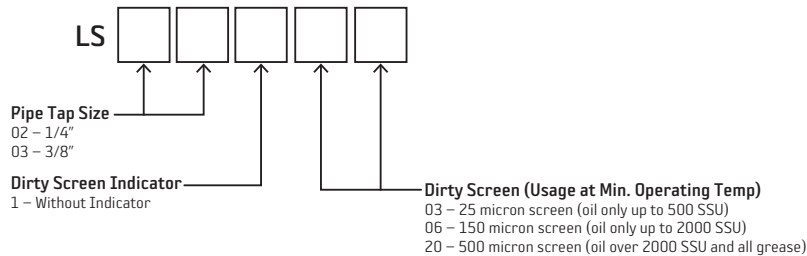
The dirty screen indicator option requires a differential pressure between 300 and 500 psi for activation and must be modified if strainer is used for low pressure. It appears as follows:

UNSCREW CAP TO REMOVE SCREEN FOR CLEANING



How to Order

Typical Ordering Code: LS Strainer (Part #LS02203)



BIJUR DELIMON INTERNATIONAL

(919) 651 5457 LOCAL
 (800) 631 0168 TOLL-FREE
 (919) 465 0516 FAX

WWW.BIJURDELIMON.COM

1 Copley Parkway, Suite 104
 Morrisville, NC 27560

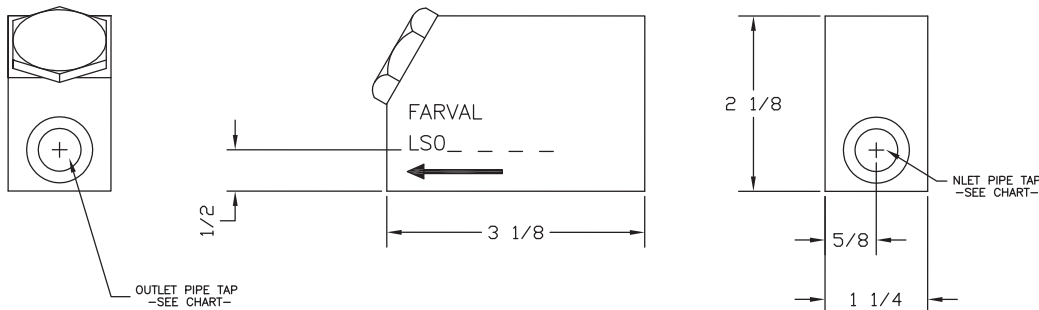
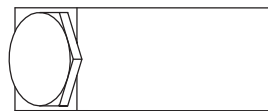
Replacement Screens

Description	Part #
25 Micron Screen (Oil Only Up To 500 SSU)	LS0205103
150 Micron Screen (Oil Only Up To 2000 SSU)	LS0205106
500 Micron Screen (Oil Over 2000 SSU & All Grease)	LS0205120

Dimensional schematics

NOTE: All dimensions shown in inches.

LS Line Strainer Assembly



BIJUR DELIMON INTERNATIONAL

(919) 651 5457 LOCAL
 (800) 631 0168 TOLL-FREE
 (919) 465 0516 FAX

WWW.BIJURDELIMON.COM

1 Copley Parkway, Suite 104
 Morrisville, NC 27560