

Oil Streak

Streak Sensing Unit

Overview

The Streak Sensing Unit system detects and monitors lubrication for high-speed spindles and other applications requiring accurate oil deliveries. The Streak Sensing Unit is versatile and allows multiple configurations that enable systems to be designed to suit various applications.

Application

The Streak Sensing Unit is designed to detect oil traces in the air tube, down to 5mm³/min. The product has been designed using a primary/secondary concept. The primary sensor, while monitoring a single tail tube, also incorporates a 4-segment LED display, 3 soft keys for programming and configuring, and an M12 electrical connector for power supply and fault alarm output. The secondary sensors may be piggybacked to the primary sensor, up to a maximum of 3, or may be remotely connected via an interconnecting cable. One secondary sensor can monitor one tail tube. The sensors are designed for either 4mm or 6mm tube.

The sensor works by detecting and counting pulses, generated from the oil particles in the air stream passing through optical components of the sensor. The count value is checked periodically and compared with the calibrated value. Should the count value fall below a certain predetermined point, then the unit will initiate an alarm. The calibrated value is the value as determined by a calibration sequence which is initiated by the user, on initial setup, and once a steady-state stream of oil can be clearly seen in the tubes. Various other parameters may be configured through the menu on the primary sensor.

The sensors may be sold separately, or as a kit, or indeed may come incorporated in an Air-Oil spindle lubrication system panel. On such a panel, the sensors have been designed to interface directly with the SureFire Lubricator with a controller.



Refer to the following documents:

- + Operators Manual #35651: Streak Sensing Unit
- + Datasheet #35720: Oil Streak Generating Unit
- + Datasheet #35721: Oil Streak Mixing Unit
- + Datasheet # 35465: SureFire PDI Lubricator

Technical Data

Operating Voltage	10 to 30 VDC	
Operating Temperature	32°F to 122°F (0°C to 50°C)	
Certification	CE	
Fault Alarm Relay Contact Rating	0.13 A, 24 V	
IP Enclosure Rating	Without Enclosure	IP-54
	In Enclosure	IP-66
Weight	Primary	50g
	Secondary	40g
Materials	Main body	Nylon 66 (black)
	Cover	Zinc plated steel
	Fastners	Zinc plated steel
	Tube fittings	Nickel plated Brass
	M12 connector	Nickel plated Brass
Power Consumption	Primary	1.5 W
	Secondary	0.5 W
Overall Dimension	262mm x 372mm x 190mm	

BIJUR DELIMON INTERNATIONAL

(919) 465 4448 LOCAL
 (800) 631 0168 TOLL-FREE
 (919) 465 0516 FAX

WWW.BIJURDELIMON.COM

2100 Gateway Centre Blvd., Suite 109
 Morrisville, NC 27560

How to Order

ATTENTION

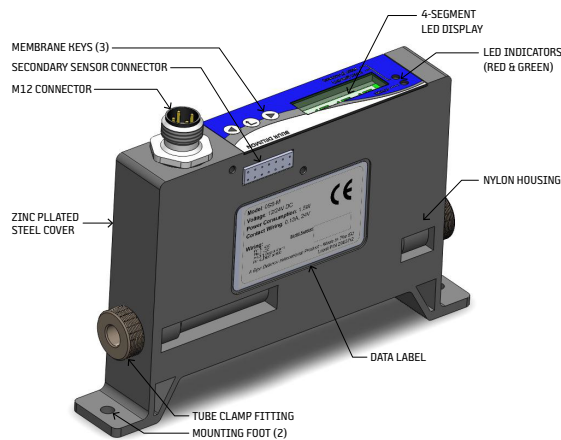
The Streak Sensing Unit is for indoor use only.

Name	Description	Part #	
Streak Sensing Unit	Primary	4mm tubing	OSS-M4
		6mm tubing	OSS-M6
	Secondary	4mm tubing	OSS-S4
		6mm tubing	OSS-S6
Streak Sensing Unit: Primary & Secondary Sensors (Complete assembly w/brackets)	2-way assembly, 4mm tubing (1 Primary & 1 Secondary)		OSS-B42
	3-way assembly, 4mm tubing (1 Primary & 2 Secondary)		OSS-B43
	4-way assembly, 4mm tubing (1 Primary & 3 Secondary)		OSS-B44
	2-way assembly, 6mm tubing (1 Primary & 1 Secondary)		OSS-B62
	3-way assembly, 6mm tubing (1 Primary & 2 Secondary)		OSS-B63
	4-way assembly, 6mm tubing (1 Primary & 3 Secondary)		OSS-B64

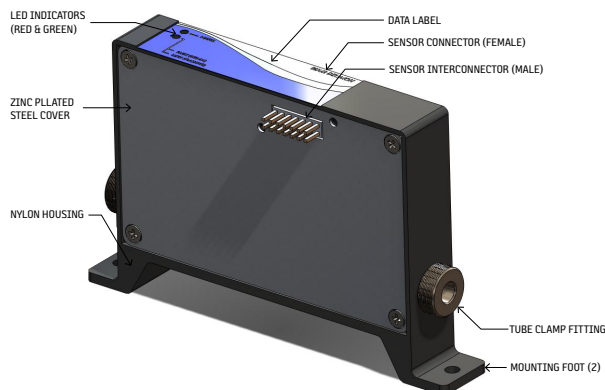
When ordering, specify by name, description and part number, e.g. Streak Sensing Unit, Primary, 4mm tubing, Part #OSS-M4.

Streak Sensing Unit at a Glance

Primary Sensor



Secondary Sensor



BIJUR DELIMON INTERNATIONAL

(919) 465 4448 LOCAL
 (800) 631 0168 TOLL-FREE
 (919) 465 0516 FAX

WWW.BIJURDELIMON.COM

2100 Gateway Centre Blvd., Suite 109
 Morrisville, NC 27560

35719 • R0 11/11

Accessories

Description		Part #
Mounting Bracket	2-way, complete with mounting fastners	OSS-B2
	3-way, complete with mounting fastners	OSS-B3
	4-way, complete with mounting fastners	OSS-B4
Electrical Cord	M12, straight, 2m long (connects to sensor)	M124S02U34
	M12, 90°, 2m long (connects to sensor)	M124A02U34
	M12, straight, 5m long (connects to sensor)	M124S05U34
	M12, 90°, 5m long (connects to sensor)	M124A05U34
	M12, straight, 10m long (connects to sensor)	M124S10U34
	M12, 90°, 10m long (connects to sensor)	M124A10U34
Electrical Cord Extension	M12, straight, 1m long (connects to sensor & SureFire)	M124SS01EXT
	M12, straight, 3m long (connects to sensor & SureFire)	M124SS03EXT
	M12, straight, 5m long (connects to sensor & SureFire)	M124SS05EXT
	M12, straight, 10m long (connects to sensor & SureFire)	M124SS10EXT
M12 Connector (no cable supplied)	Field-wireable, straight (connects to sensor)	23694
	Field-wireable, angled (connects to sensor)	23694-1
	Field-wireable, straight (connects to SureFire)	23846
	Field-wireable, angled (connects to SureFire)	23846-1
OSS Tube Size Conversion Kit	Convert sensor from 6mm to 4mm	OSS-K4
	Convert sensor from 4mm to 6mm	OSS-K6
IP66 Enclosures	4-way enclosure for 4mm tubing	OSS-E4
	4-way enclosure for 6mm tubing	OSS-E6
Complete Enclosure Assemblies	1-way Enclosure for 4mm tubing (c/w primary sensor & 5m trailing cable)	OSS-E41
	2-way Enclosure for 4mm tubing (c/w primary & secondary sensor & 5m trailing cable)	OSS-E42
	3-way Enclosure for 4mm tubing (c/w primary & 2 secondary sensors & 5m trailing cable)	OSS-E43
	4-way Enclosure for 4mm tubing (c/w primary & 3 secondary sensors & 5m trailing cable)	OSS-E44
	1-way Enclosure for 6mm tubing (c/w primary sensor & 5m trailing cable)	OSS-E61
	2-way Enclosure for 6mm tubing (c/w primary & secondary sensor & 5m trailing cable)	OSS-E62
	3-way Enclosure for 6mm tubing (c/w primary & 2 secondary sensors & 5m trailing cable)	OSS-E63
	4-way Enclosure for 6mm tubing (c/w primary & 3 secondary sensors & 5m trailing cable)	OSS-E64

BIJUR DELIMON INTERNATIONAL

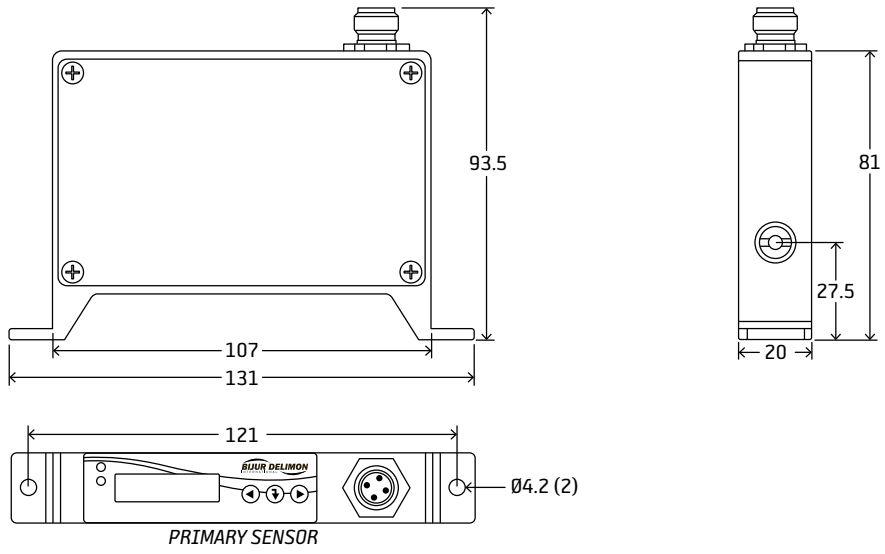
(919) 465 4448 LOCAL
 (800) 631 0168 TOLL-FREE
 (919) 465 0516 FAX

WWW.BIJURDELIMON.COM

2100 Gateway Centre Blvd., Suite 109
 Morrisville, NC 27560

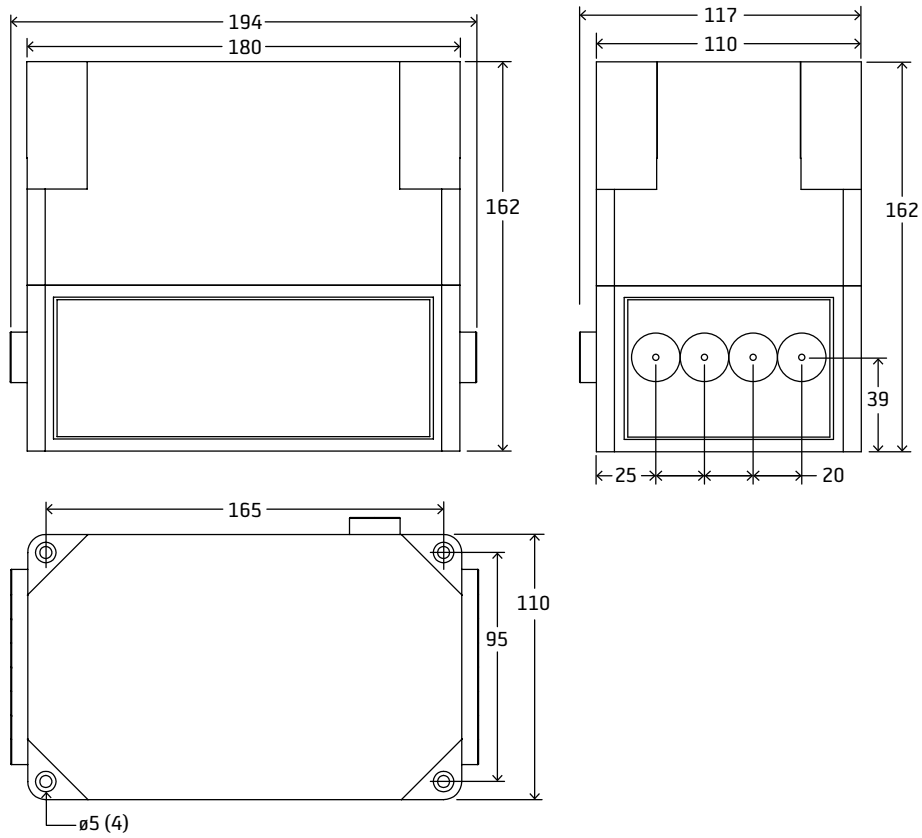
Dimensional Schematics

Sensors



Measurements shown in millimeters.

IP Enclosure



BIJUR DELIMON INTERNATIONAL

(919) 465 4448 LOCAL
 (800) 631 0168 TOLL-FREE
 (919) 465 0516 FAX

WWW.BIJURDELIMON.COM

2100 Gateway Centre Blvd., Suite 109
 Morrisville, NC 27560