

Dynamis Maxx Lubricator

Mobile Systems, Electric, Grease



General

Dynamis Maxx Lubricators are electrically driven piston pumps designed for use with series progressive systems. These lubricators can be fitted with up to three independent or combined piston elements providing positive displacement output to series progressive divider valves. Dynamis Maxx Lubricators are available with an integral pCo programmable controller, low level switch and various reservoir capacities. Operating voltages are 12 or 24 VDC.

Application

Dynamis Maxx Lubricators are ideally suited for on-road and off-road mobile machinery such as loaders, excavators, articulated trucks, graders, etc. These lubricators are designed to work in conditions found in the construction, mining and forestry industries.

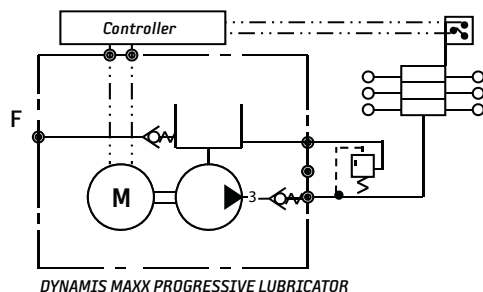
Operation

Power supplied to a motor with gear box drives a precision eccentric cam which engages with up to three push-pull piston elements. This action creates a suction and pressure stroke of the element(s), thereby displacing fixed volumes of lubricant through an outlet check valve. Lubricant is displaced through main line tubing or hose to a network of progressive divider valves. Each piston element comes with a relief valve (relieves to reservoir).

Features

- + Large reservoir capacities allow for extended times between refills
- + Low grease level and system monitoring capabilities
- + Designed to handle a wide range of lubricants
- + Integral controller option facilitates quick installations

ISO Schematics



Dynamis Maxx Progressive Version

Refer to the following documents:

- + Data sheet #35635:
PVB Mobile Divider Valve
- + Data sheet # 35762:
pCo Quick Start Guide

BIJUR DELIMON INTERNATIONAL

(919) 465 4448 LOCAL
(800) 631 0168 TOLL-FREE
(919) 465 0516 FAX

WWW.BIJURDELIMON.COM

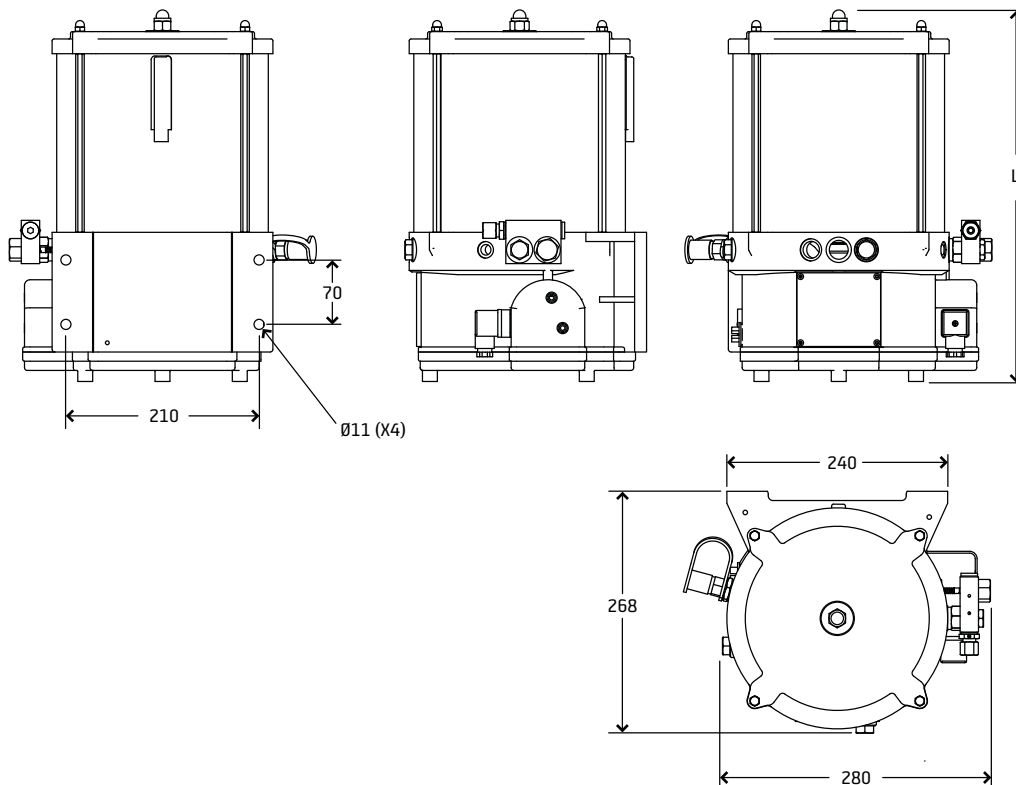
2250 Perimeter Park Dr., Suite 120
Morrisville, NC 27560

Accessories & Parts

Description	Part #			
Mounting plate	Straight	37434	90°	37433
Pressure gauge 1/4" NPT, LM	5000psi	U902F	3000psi	U902D
Mating fill connector	UX43521			
Power Cable, SJO 16/4	15117-5			
8-Pole Cable, M12X1, 10m	Straight	M128S10S25	90°	M128A10U25
4-Pole Cable, M12X1, 10m	Straight	76928-2863	90°	76928-2833
Field Wireable Connectors - Cycle Switch or LLS(4-pole)	Straight	23694	90°	23694-1
Element Kit (add a second combined element)	37862			
Element Kit (add a second separate element)	37702			
Element Kit (add 2nd & 3rd combined elements)	37703			
Replacement Pump Element	62212P006			
Replacement Reservoirs	4 Liter	73100R097	8 Liter	73100R092
Replacement Relief Valve (160bar)	63611D003			
AC-to-DC Power Supply Kit (Allows 24VDC to operate on 110/230VAC input power)	DYXETA0007			

Measurements shown in millimeters.

Dimensional Schematics



Reservoir	L	Weight
4 liter (8 lb.)	390mm (15.3")	22.6 lb.
8 liter (16 lb.)	490mm (19.3")	23.5 lb.

BIJUR DELIMON INTERNATIONAL

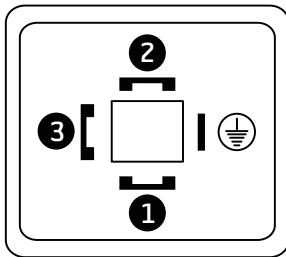
(919) 465 4448 LOCAL
 (800) 631 0168 TOLL-FREE
 (919) 465 0516 FAX

WWW.BIJURDELIMON.COM

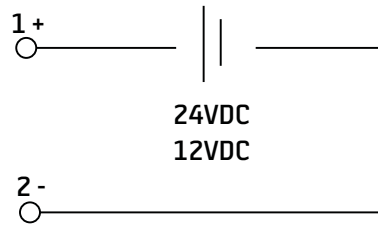
2250 Perimeter Park Dr., Suite 120
 Morrisville, NC 27560

Wiring Schematics

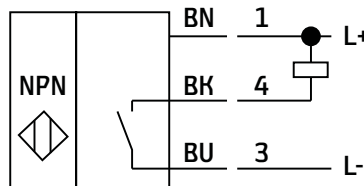
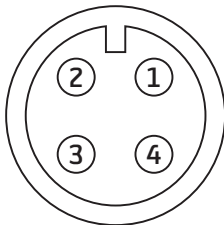
POWER SUPPLY



Power Input Connector



LOW LEVEL SWITCH - Units without Controller



BIJUR DELIMON INTERNATIONAL

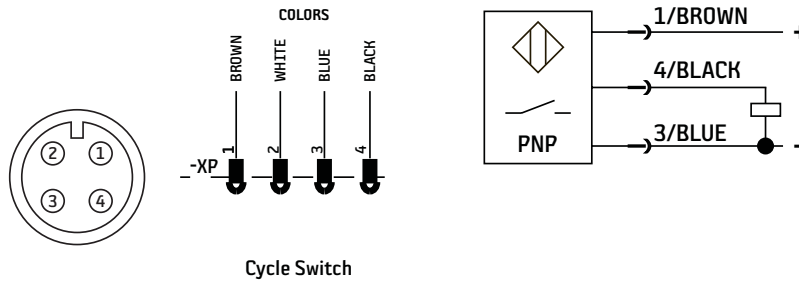
(919) 465 4448 LOCAL
(800) 631 0168 TOLL-FREE
(919) 465 0516 FAX

WWW.BIJURDELIMON.COM

2250 Perimeter Park Dr., Suite 120
Morrisville, NC 27560

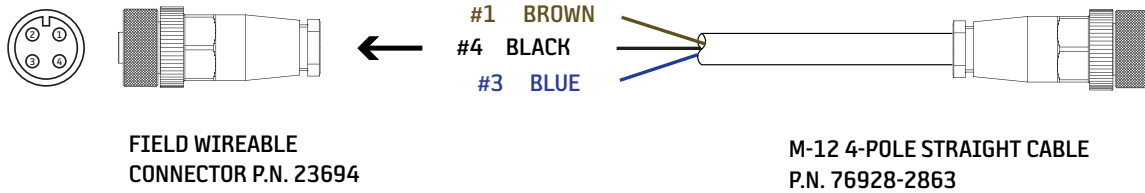
Wiring Schematics -Continued

CYCLE SWITCH WIRING - Units with Integral pCo Controller



CONNECT TO DYNAMIS MAXX M12
4-POLE CONNECTOR

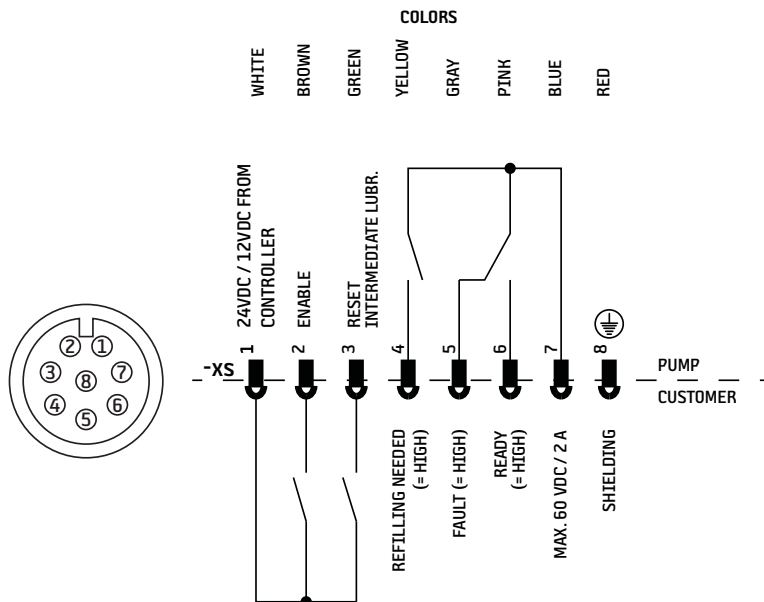
CONNECT TO CYCLE SWITCH
P.N. 66925-1311



WIRE CABLE TO FIELD WIREABLE CONNECTOR.

CONNECT:
BROWN TO PIN #1
BLACK TO PIN #4
BLUE TO PIN #3.

SIGNALS - Units with Integral pCo Controller



BIJUR DELIMON INTERNATIONAL

(919) 465 4448 LOCAL
(800) 631 0168 TOLL-FREE
(919) 465 0516 FAX

WWW.BIJURDELIMON.COM

2250 Perimeter Park Dr., Suite 120
Morrisville, NC 27560